

Single Pole Devices and Temporary Power

150A, 600V AC/DC

Female Receptacles

HUBBELL

Ordering Information

Description	Device Color	UPC Number	Catalog Number
Double Set Screw type, 150A Panel Mount, thermoplastic	Red	783585458199	HBL15FRR

Listings

UL and cUL Listed
UL Enclosure Types 3R, 4X, 12
National Electric Code (NEC), ANSI/NFPA 70

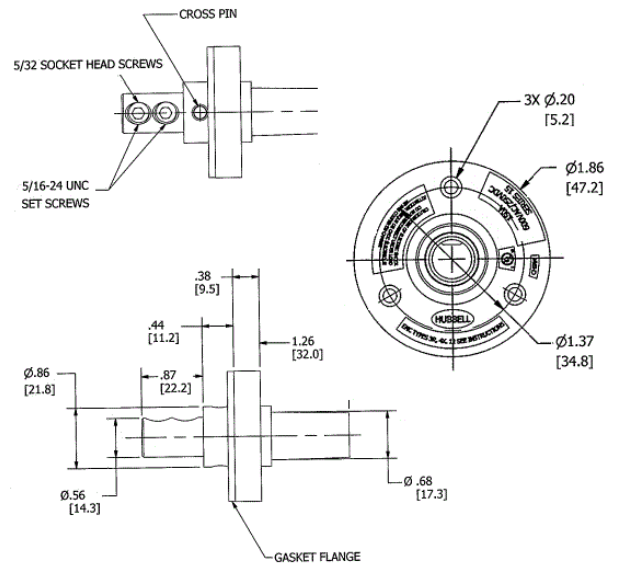
Specifications

Base Compound	Thermoplastic Elastomer (TPE)
Contact Material	Brass
Retaining Screw Material	Nylon
Mounting Hole	3x \varnothing .20"
Termination	(2) 5/32 Socket Head Set Screws

Performance

Electrical	
Amperage Rating	150A Maximum
Voltage Rating	600V AC/DC Maximum

Mechanical	
Product Identification	Ratings are a permanent part of device
Terminal Accommodation	#8 to #2 AWG



Online Resources

Customer Sales Drawings
eCatalog
Installation Instructions

Dimensions in Inches (mm)

Hubbell Wiring Device-Kellems • Hubbell Incorporated (Delaware) • 40 Waterview Drive • Shelton, CT 06484

Phone (800) 288-6000 • Fax (800) 255-1031 • Specifications subject to change without notice.

