

## Single Pole Devices and Temporary Power

150A, 600V AC/DC

## Female Receptacles

# HUBBELL

### Ordering Information

| Description  | Device Color | UPC Number   | Catalog Number |
|--|--------------|--------------|----------------|
| 150 amp Panel Mount, Stud<br>Type 1 1/16" x<br>3/4", thermoplastic | Black        | 783585458274 | HBL15FRSBK     |

### Listings

UL and cUL Listed  
UL Enclosure Types 3R, 4X, 12  
National Electric Code (NEC), ANSI/NFPA 70

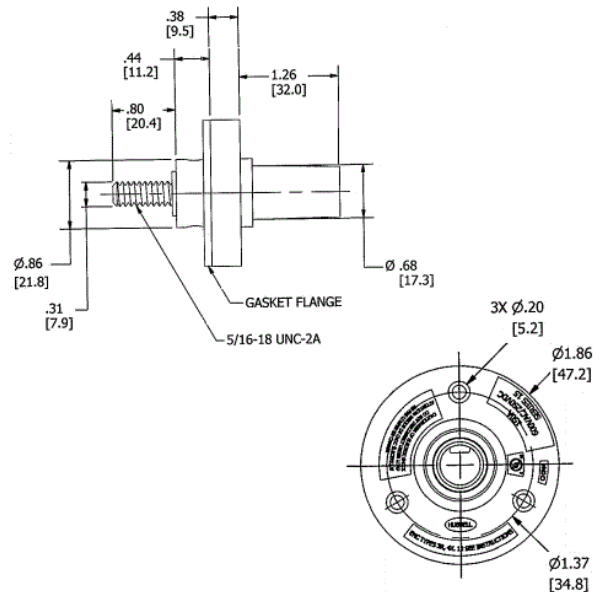
### Specifications

|                          |                               |
|--------------------------|-------------------------------|
| Base Compound            | Thermoplastic Elastomer (TPE) |
| Contact Material         | Brass                         |
| Retaining Screw Material | Nylon                         |
| Mounting Hole            | 3x Ø .20"                     |
| Termination              | 5/16-18 Threaded Stud         |

### Performance

| Electrical      |                    |
|-----------------|--------------------|
| Amperage Rating | 150A Maximum       |
| Voltage Rating  | 600V AC/DC Maximum |

| Mechanical             |  |
|------------------------|--|
| Product Identification | Ratings are a permanent part of device |
| Terminal Accommodation | #8 to #2 AWG                           |



### Online Resources

Customer Sales Drawings  
eCatalog  
Installation Instructions

Dimensions in Inches (mm)

Hubbell Wiring Device-Kellems • Hubbell Incorporated (Delaware) • 40 Waterview Drive • Shelton, CT 06484

Phone (800) 288-6000 • Fax (800) 255-1031 • Specifications subject to change without notice.

