

Single Pole Devices and Temporary Power
Series 15 - 150 Ampere, 600V AC/DC
Replacement Bodies

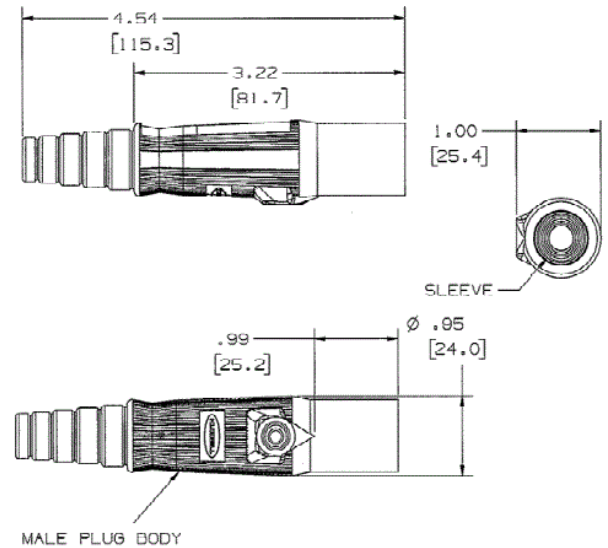
HUBBELL

Ordering Information

Description	Device Color	UPC Number	Catalog Number
25 Pack Replacement Bodies for 150A devices	White	783585458908	HBL15MBW

Listings

UL and cUL Listed
UL Enclosure Types 3R, 4X, 12
National Electric Code (NEC), ANSI/NFPA 70



Online Resources

Customer Sales Drawings
eCatalog
Installation Instructions

Dimensions in Inches (mm)

Hubbell Wiring Device-Kellems • Hubbell Incorporated (Delaware) • 40 Waterview Drive • Shelton, CT 06484

Phone (800) 288-6000 • Fax (800) 255-1031 • Specifications subject to change without notice.

