

Switched Disconnects and Enclosures
Circuit-Lock® NEMA 3R Enclosures without Switch



Features

- All aluminum cover and base
- Surface mount control
- Switch can be locked in the OFF position as a method of compliance with OSHA lockout/tagout
- Base is pre-drilled for rear surface mounting
- Top, bottom or back wire entry points

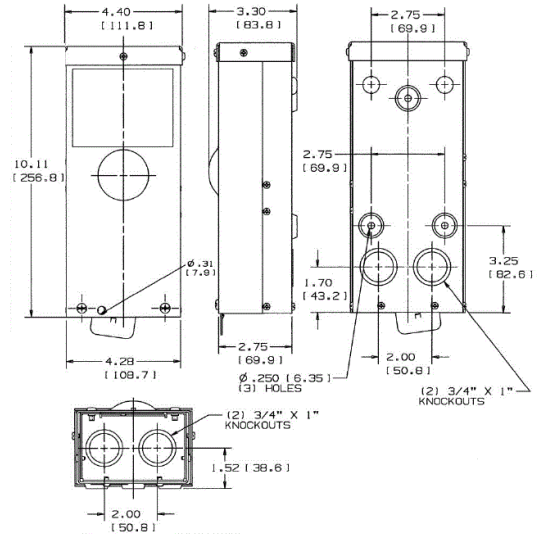


Ordering Information

Description	UPC Number	Catalog Number
For use with 60A switch	783585017044	HBL16R90

Specifications

Enclosure Material	Aluminum
--------------------	----------



Complementary Products

Controllers/Disconnects

HBL7862D; HBL7863D;
HBL7862FWD; HBL7863FWD

Online Resources

Customer Use Drawing
eCatalog
Installation Instructions

Dimensions in Inches (mm)

Hubbell Wiring Device-Kellems • Hubbell Incorporated (Delaware) • 40 Waterview Drive • Shelton, CT 06484

Phone (800) 288-6000 • Fax (800) 255-1031 • Specifications subject to change without notice.

