

Switched Disconnects and Enclosures

NEMA 4X Disconnect Switches

Circuit-Lock[®] NEMA 4X Enclosures with Switch

HUBBELL

Features

- Thermoplastic 4X Non-metallic enclosures
- Un-drilled case allows custom placement of wire entry
- Switch can be locked in the OFF position as a method of compliance with OSHA lockout/tagout

Ordering Information

Description	UPC Number	Catalog Number
60A, 600V, three pole, rotary controller in NEMA 4X non-metallic enclosure; Ideal for use in environments where wash-down is necessary, i.e. food processing, laboratories, etc.	783585202785	HBL16X63D



Listings

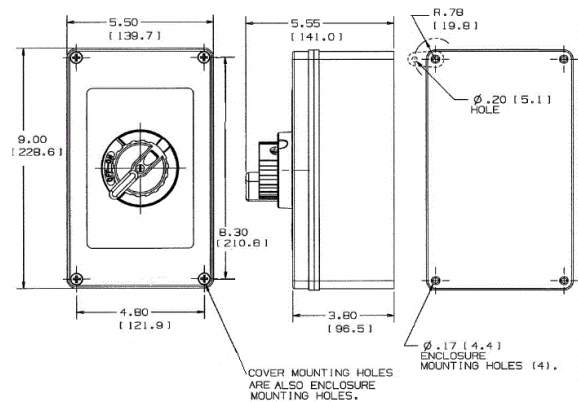
UL 508
CSA-C22.2 No. 14

Specifications

Enclosure Material	Non-Metallic
--------------------	--------------

Performance

Electrical	
Electrical Life	Min. 6,000 Cycles at rated switch load
Max. Working Voltage	600V AC 600V AC RMS
Mechanical	
Mechanical Life	10,000 minimum cycles
Terminal Accommodations	#4 AWG Max.
Terminal Torque Switch Rating	20 inch pounds
Wire Type	Solid and stranded copper wire only
Environmental	
Flammability	UL94HB/VO
Operating Temperature	Max. Continuous: 75°C; Min. Continuous: -40°C without impact



Complementary Products

Auxiliary Contact	HBLAUX
-------------------	--------

Online Resources

Customer Use Drawing
eCatalog
Installation Instructions

Dimensions in Inches (mm)

Hubbell Wiring Device-Kellems • Hubbell Incorporated (Delaware) • 40 Waterview Drive • Shelton, CT 06484

Phone (800) 288-6000 • Fax (800) 255-1031 • Specifications subject to change without notice.

