

## Single Pole Devices and Temporary Power

### Series 18 - 300A, 600V AC/DC

## Female Plug

# HUBBELL

### Features

- Extra Long non-conductive inner sleeve
- Turn and Lock Symbol aids in the mating of devices
- Easily Identifiable Cable with cut off points for secure fit

### Ordering Information

Description	Device Color	UPC Number	Catalog Number
300A, thermoplastic elastomer, cable size #2 - 2/0 AWG	Yellow	78358553942	HBL18300FY

### Listings

UL and cUL Listed  
UL Enclosure Types 3R, 4X, 12  
National Electric Code (NEC), ANSI/NFPA 70

### Specifications

Base Compound	Thermoplastic Elastomer
Contact Material	Brass
Retaining Screw Material	Nylon

### Performance

#### Electrical

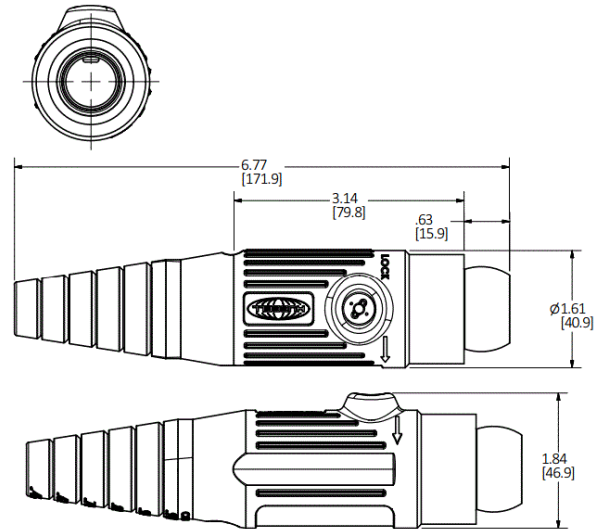
Amperage Rating	300A Maximum
Voltage Rating	600V AC/DC Maximum

#### Mechanical

Product Identification	Ratings are a permanent part of device
Terminal Accommodation	#2 to 2/0 AWG

#### Environmental

Flammability	HB per UL94 or CSA 22.2. 0.17
--------------	-------------------------------



### Online Resources

Customer Sales Drawings  
eCatalog  
Installation Instructions

Dimensions in Inches (mm)

Hubbell Wiring Device-Kellems • Hubbell Incorporated (Delaware) • 40 Waterview Drive • Shelton, CT 06484

Phone (800) 288-6000 • Fax (800) 255-1031 • Specifications subject to change without notice.

