

Single Pole Devices and Temporary Power

Series 18 - 300A, 600V AC/DC

Male Plug

Features

- Easy Grip Housing
- Non-Conductive Retaining Screw locks contacts in place
- Large Raised Alignment Arrow aids in the mating of devices

Ordering Information

Description	Device Color	UPC Number	Catalog Number
300A, thermoplastic elastomer, cable size #2 - 2/0 AWG	Blue	78358553931	HBL18300MBL

Listings

UL and cUL Listed
UL Enclosure Types 3R, 4X, 12
National Electric Code (NEC), ANSI/NFPA 70

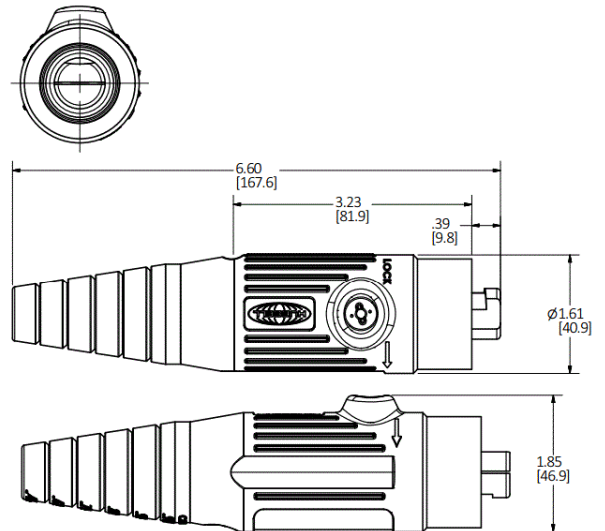
Specifications

Base Compound	Thermoplastic Elastomer
Contact Material	Brass
Retaining Screw Material	Nylon

Performance

Electrical	
Amperage Rating	300A Maximum
Voltage Rating	600V AC/DC Maximum
Mechanical	
Product Identification	Ratings are a permanent part of device
Terminal Accommodation	#2 to 2/0 AWG
Environmental	
Flammability	HB per UL94 or CSA 22.2. 0.17

HUBBELL



Online Resources

Customer Sales Drawings
eCatalog
Installation Instructions

Dimensions in Inches (mm)

Hubbell Wiring Device-Kellems • Hubbell Incorporated (Delaware) • 40 Waterview Drive • Shelton, CT 06484

Phone (800) 288-6000 • Fax (800) 255-1031 • Specifications subject to change without notice.

