

Hubbell Raceway
HBL2000 and HBL2000A Series
Coupling



Features

- Uses HBL 2000 Series raceway and fitting and accessories to customize the install
- Scratch resistant finish
- For use upto 600V AC

Ordering Information

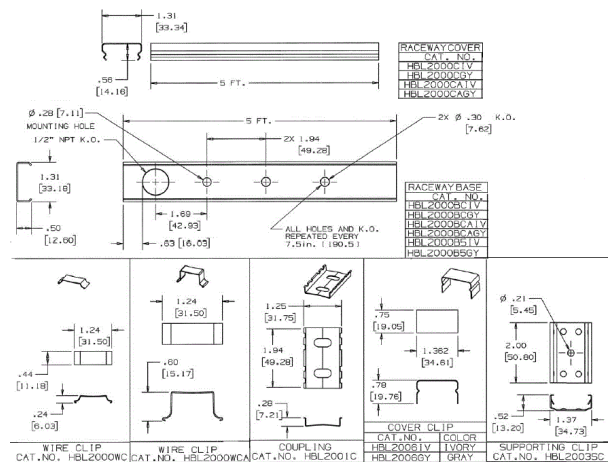
| Accessory Type | Color | UPC Number |
|----------------|------------------|--------------|
| Coupling | Galvanized Steel | 783585214146 |

Listings

UL Standard UL 5
 E253976 /E253830 /E253833
 CSA Standard C22.2 no. 62

Specifications

| | |
|----------------|-----------------------------|
| Raceway Series | HBL2000 and HBL2000A Series |
| Material | Steel |
| Finish | Galvanized Steel |



Related Products

| | |
|-------------------------------|--------------|
| Raceway Base and Cover (300V) | HBL2000BCIV |
| Raceway Base and Cover (600V) | HBL2000BCAIV |
| Raceway Base | HBL2000B5IV |
| Raceway Cover | HBL2000CIV |

Online Resources

- Customer Sales Drawings
- eCatalog
- Installation Instructions

Dimensions in Inches (mm)

Hubbell Wiring Device-Kellems • Hubbell Incorporated (Delaware) • 40 Waterview Drive • Shelton, CT 06484

Phone (800) 288-6000 • Fax (800) 255-1031 • Specifications subject to change without notice.

