

## Entrance Fitting

### Features

- Uses HBL 2000 Series raceway and fitting and accessories to customize the install
- Scratch resistant finish
- For use upto 600V AC

### Ordering Information

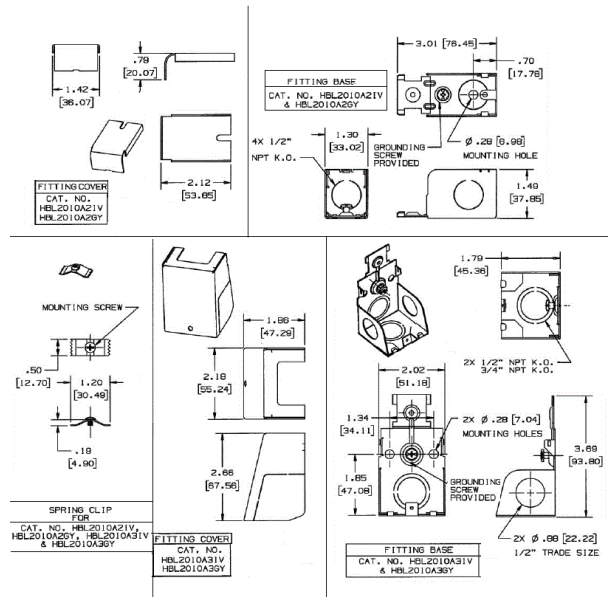
Accessory Type	Color	UPC Number
Entrance Fitting	Ivory	783585214207

### Listings

UL Standard UL 5  
E253976 /E253830 /E253833  
CSA Standard C22.2 no. 62

### Specifications

Raceway Series	HBL2000 and HBL2000A Series
Material	Steel
Finish	Painted, Ivory



### Related Products

Raceway Base and Cover (300V)	HBL2000BCIV
Raceway Base and Cover (600V)	HBL2000BCAIV
Raceway Base	HBL2000B5IV
Raceway Cover	HBL2000CIV

### Online Resources

Customer Sales Drawings  
eCatalog  
Installation Instructions