

Hubbell Raceway

HBL2000 and HBL2000A Series

Large Capacity Entrance Fitting

HUBBELL

Features

- Uses HBL 2000 Series raceway and fitting and accessories to customize the install
- Scratch resistant finish
- For use upto 600V AC

Ordering Information

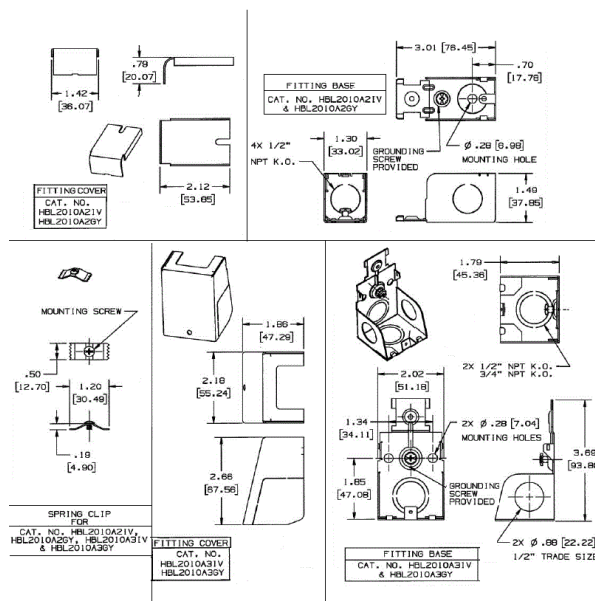
Accessory Type	Color	UPC Number
Large Capacity Entrance Fitting	Gray	783585214214

Listings

UL Standard UL 5
E253976 /E253830 /E253833
CSA Standard C22.2 no. 62

Specifications

Raceway Series	HBL2000 and HBL2000A Series
Material	Steel
Finish	Painted, Gray



Related Products

Raceway Base and Cover (300V)	HBL2000BCGY
Raceway Base and Cover (600V)	HBL2000BCAGY
Raceway Base	HBL2000B5GY
Raceway Cover	HBL2000CGY

Online Resources

Customer Sales Drawings
eCatalog
Installation Instructions

Dimensions in Inches (mm)

Hubbell Wiring Device-Kellems • Hubbell Incorporated (Delaware) • 40 Waterview Drive • Shelton, CT 06484

Phone (800) 288-6000 • Fax (800) 255-1031 • Specifications subject to change without notice.

