

Wallplates
Weatherproof Covers for Receptacles

HUBBELL

For FS/FD Box Mounting

Features

- For use with 30A, 4 wire Hubbellock receptacles

Ordering Information

| Description | Catalog Number | UPC |
|---|----------------|--------------|
| For use with 30A, 4 wire Hubbellock® receptacles, suitable for damp locations | HBL20406 | 783585808963 |

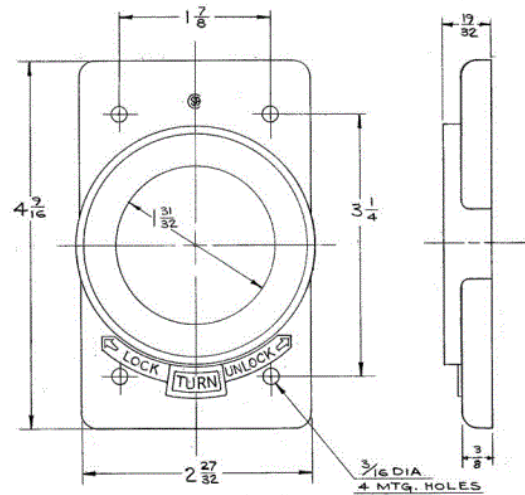


Listings

UL Listed - Canadian and U.S.

Specifications

| | |
|----------------|-----------------|
| Material | Aluminum |
| Rivet | Aluminum |
| Spring | Stainless steel |
| Gasket | Neoprene |
| Retaining Ring | Stainless steel |



Online Resources

Customer Use Drawing

eCatalog

Dimensions in Inches (mm)

Hubbell Wiring Device-Kellems • Hubbell Incorporated (Delaware) • 40 Waterview Drive • Shelton, CT 06484

Phone (800) 288-6000 • Fax (800) 255-1031 • Specifications subject to change without notice.

