

Hubbell Raceway  
**HBL2000 and HBL2000A Series**  
**End Reducing Coupling**



**Features**

- Uses HBL 2000 Series raceway and fitting and accessories to customize the install
- Scratch resistant finish
- For use upto 600V AC

**Ordering Information**

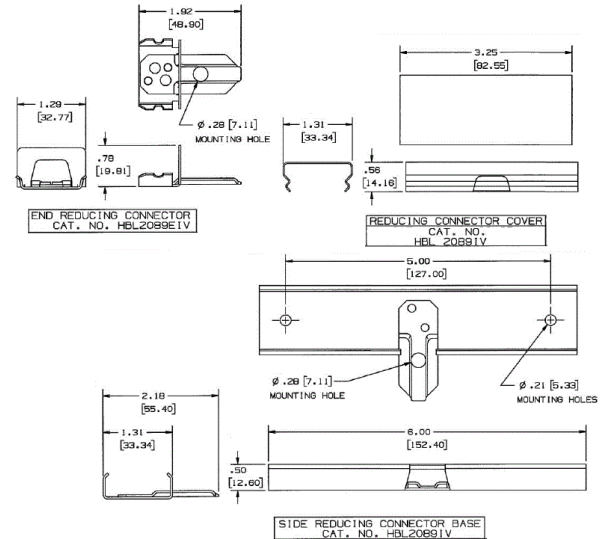
Accessory Type	Color	UPC Number
End Reducing Coupling	Ivory	783585214467

**Listings**

UL Standard UL 5  
 E253976 /E253830 /E253833  
 CSA Standard C22.2 no. 62

**Specifications**

Raceway Series	HBL2000 and HBL2000A Series
Material	Steel
Finish	Painted, Ivory



**Related Products**

Raceway Base and Cover (300V)	HBL2000BCIV
Raceway Base and Cover (600V)	HBL2000BCAIV
Raceway Base	HBL2000B5IV
Raceway Cover	HBL2000CIV

**Online Resources**

- Customer Sales Drawings
- eCatalog
- Installation Instructions

Dimensions in Inches (mm)

Hubbell Wiring Device-Kellems • Hubbell Incorporated (Delaware) • 40 Waterview Drive • Shelton, CT 06484

Phone (800) 288-6000 • Fax (800) 255-1031 • Specifications subject to change without notice.

