

Straight Blade Devices  
 15A, 125V, 2 Pole, 3 Wire Grounding  
 Heavy Duty Style Line® Decorator  
 Receptacles

# HUBBELL

## Features

- Aesthetic Style Line® decorator design
- Triple wipe contacts

## Ordering Information

| Description          | Device Color | UPC          | Catalog Number |
|----------------------|--------------|--------------|----------------|
| Back and side wired. | Gray         | 783585060347 | HBL2152GY      |

## Listings

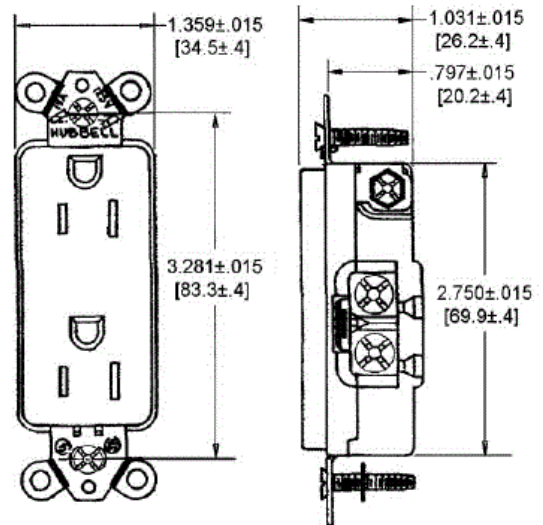
UL Listed to UL498 File No. E2186  
 Certified to CSA 22.2, No. 42 File 285  
 Fed. Spec. W-C-596  
 NEMA® WD-6 Compliant

## Specifications

|                                 |                               |
|---------------------------------|-------------------------------|
| Face                            | Nylon                         |
| Base                            | PBT                           |
| Contacts                        | Brass                         |
| Wire Clamp                      | Plated brass                  |
| Terminal Screws                 | Brass                         |
| Mounting Strap                  | .040 in. (1) Galvanized steel |
| Automatic Self-grounding Staple | Stainless steel               |
| Ground Contact                  | .031 in. (.8) Brass           |

## Performance

|                         |  |
|-------------------------|--|
| <b>Electrical</b>       |  |
| Current Interrupting    | Certified for current interrupting at full rated current |
| Dielectric Voltage      | Withstands 2,000V minimum                                |
| <b>Mechanical</b>       |  |
| Product Identification  | Ratings are a permanent part of the device               |
| Terminal Accommodation  | #14-#10 AWG copper stranded or solid conductor only      |
| Terminal Identification | Terminals identified in accordance with UL 498 and CSA   |
| <b>Environmental</b>    |  |
| Flammability            | Top: UL 94V-2, Base: UL 94V-0                            |
| Operating Temperatures  | Maximum continuous 75°C; minimum -40°C (w/o impact)      |



## Accessories

Wallplate or Weatherproof Cover StyleLine® Decorator Opening

## Resources

Customer Use Drawing  
 eCatalog

Dimensions in Inches (mm)

Hubbell Wiring Device-Kellems • Hubbell Incorporated (Delaware) • 40 Waterview Drive • Shelton, CT 06484

Phone (800) 288-6000 • Fax (800) 255-1031 • Specifications subject to change without notice.

