

Straight Blade Devices  
 15A, 125V, 2 Pole, 3 Wire Grounding  
 Hospital Grade Style Line® Duplex  
 Receptacle

# HUBBELL

## Features

- Aesthetic Style Line® decorator design
- High impact resistant face
- Triple wipe contacts

## Ordering Information

Description	Device Color	UPC	Catalog Number
Back and side wired.	Brown	783585060545	HBL2172

## Listings

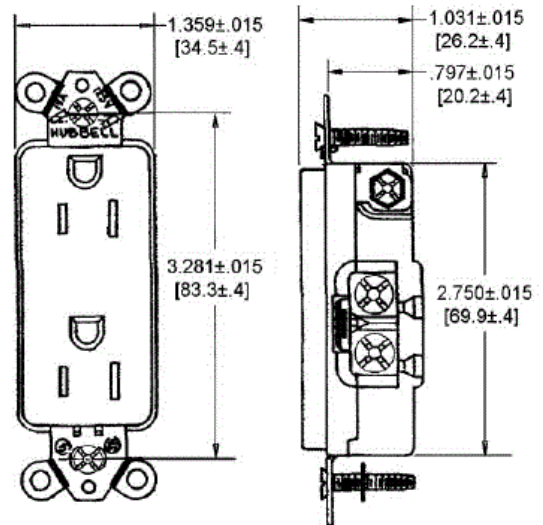
UL Listed to UL498 File No. E2186  
 Certified to CSA 22.2, No. 42 File 285  
 Fed. Spec. W-C-596  
 NEMA® WD-6 Compliant

## Specifications

Face	Nylon
Base	PBT
Contacts	0.031" (0.8) Brass
Ground Contacts	.031 in. (.8) Brass
Clamping Plate	Nickel plated steel
Terminal Screws	Brass
Mounting Strap	.050 in. (1.3) Galvanized steel
Automatic Self-grounding Staple	Stainless steel
Mounting Screws	Zinc plated steel

## Performance

<b>Electrical</b>	
Current Interrupting	Certified for current interrupting at full rated current
Dielectric Voltage	Withstands 2,000V minimum
<b>Mechanical</b>	
Product Identification	Ratings are a permanent part of the device
Terminal Accommodation	#14-#10 AWG copper stranded or solid conductor only
Terminal Identification	Terminals identified in accordance with UL 498 and CSA
<b>Environmental</b>	
Flammability	TOP: UL 94 V-2 BASE: UL 94 V-0
Operating Temperatures	Maximum continuous 75°C; minimum -40°C (w/o impact)



## Accessories

Wallplate or Weatherproof Cover StyleLine® Decorator Opening

## Resources

Customer Use Drawing  
 eCatalog

Dimensions in Inches (mm)

Hubbell Wiring Device-Kellems • Hubbell Incorporated (Delaware) • 40 Waterview Drive • Shelton, CT 06484

Phone (800) 288-6000 • Fax (800) 255-1031 • Specifications subject to change without notice.

