

Panel Mount Switches  
 10A 250V AC, 20A 125V AC  
 Heavy Duty Panel Mount Switch

# HUBBELL

## Features

- Nickel Plated for Corrosion Resistance

## Ordering Information

Description	Terminal	UPC	Catalog Number
Double pole/ single throw	Spade	783585017105	HBL21SP

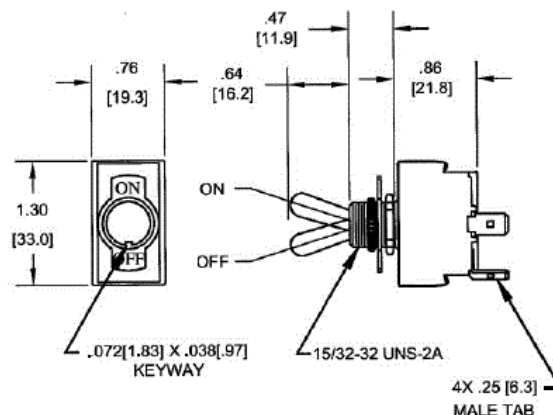


## Listings

UL Listed

## Specifications

Body Material	Impact Resistant Thermoplastic Body
Contacts	Fine Silver
Strap Material	Nickel Plated
Bushing	Brass- Nickel Plated
Toggle	Brass- Nickel Plated



## Performance

### Environmental

Operating Temperatures Max Continuous- 75 °C, Minimum -40 °C Without Impact

## Online Resources

Customer Use Drawing  
 eCatalog

Dimensions in Inches (mm)

Hubbell Wiring Device-Kellems • Hubbell Incorporated (Delaware) • 40 Waterview Drive • Shelton, CT 06484

Phone (800) 288-6000 • Fax (800) 255-1031 • Specifications subject to change without notice.

