

Hubbellock® Devices
30A, 600V AC, 20A, 250V DC, 3 Pole, 4 Wire
Grounding

HUBBELL

Hubbellock® Flanged Inlet

Features

- Molded-in male contacts are resistant to damage and provide a consistently positive connection
- Insulated non-metallic housing enhances safety and abuse resistance
- Box terminals in conjunction with screws with pressure pads provide maximum termination strength and dependability
- Nickel plated cover and closure cap provides protection from moisture and dust

Ordering Information

Description	Device Color	UPC	Catalog Number
Weathertight, corrosion resistant, nickel plated brass plate	Metallic	783585017532	HBL22CM428

Listings

Listed to UL Standard
Certified to CSA Standard

Specifications

Housing /Sealing Cap	Nickel plated brass
Inlet Interior	Thermoset
Contacts	Brass
Beaded Chain	Nickel plated brass
Terminal Screws	Stainless Steel

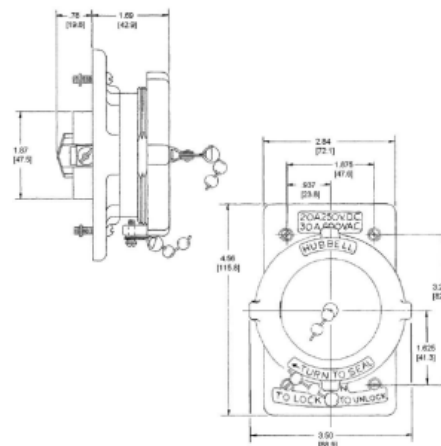
Performance

Electrical	
Current Interrupting	Certified for current interrupting at full rated current
Dielectric Voltage	2,000V minimum

Mechanical	
Terminal Accommodation	#10 AWG - #6 AWG solid or stranded copper wire only.

Terminal Identification	Terminals identified in accordance with UL 498
-------------------------	--

Environmental	
Flammability	UL 94 V0 for Receptacles and Inlets.HB or better for Plugs and Connectors
Moisture Resistance	IP30 Suitability
Operating Temperatures	Maximum Continuous 75°C; Minimum -40°C (w/o impact)



Accessories

Connector	HBL21CM414B
-----------	-------------

Resources

Customer Use Drawing
eCatalog

Dimensions in Inches (mm)

Hubbell Wiring Device-Kellems • Hubbell Incorporated (Delaware) • 40 Waterview Drive • Shelton, CT 06484

Phone (800) 288-6000 • Fax (800) 255-1031 • Specifications subject to change without notice.

