

Locking Devices

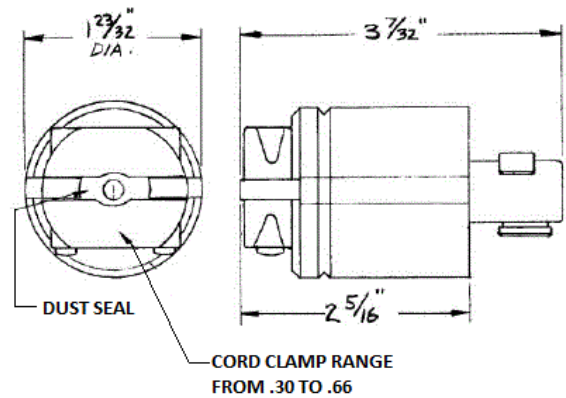
Hubbelock

20A 125V, 2-Pole 3-Wire Male Plug

# HUBBELL

Ordering Information

<b>Color</b> Black and White	<b>Application</b> Hospital Use	<b>UPC</b> 783585015620	<b>Catalog Number</b> HBL23014HGB
---------------------------------	------------------------------------	----------------------------	--------------------------------------



Online Resources

- Customer Sales Drawings
- eCatalog
- Installation Instructions

Dimensions in Inches (mm)

Hubbell Wiring Device-Kellems • Hubbell Incorporated (Delaware) • 40 Waterview Drive • Shelton, CT 06484

Phone (800) 288-6000 • Fax (800) 255-1031 • Specifications subject to change without notice.

