

Twist-Lock® Devices  
 20A, 125V AC, 2 Pole, 3 Wire Grounding  
 Single Flush Receptacle

# HUBBELL

## Features

- High-impact, abuse-resistant nylon face
- Wire restraint recess for both back and side wiring, greatly reduces the possibility of loosening the terminal connection
- Face color coding by voltage facilitates locating and mating of proper devices
- All-brass mounting and grounding system provides a lower resistance ground path and greater resistance to corrosion than steel mounting systems

## Ordering Information

Description	Device Color	UPC	Catalog Number
Nylon face, back and side wire.	Blue	783585005188	HBL2310M7

## Listings

Listed to UL 498  
 Fed.Spec. W-C-596  
 Certified to CSA C22.2 No.42

## Specifications

Face	Nylon
Base	Glass-Reinforced thermoplastic polyester (RTP)
Contacts	Brass
Terminal Screws	#10 - 32 Brass
Mounting Strap	Brass

## Performance

### Electrical

Current Interrupting Certified for current interrupting at full rated current  
 Dielectric Voltage Withstands 2,000V minimum

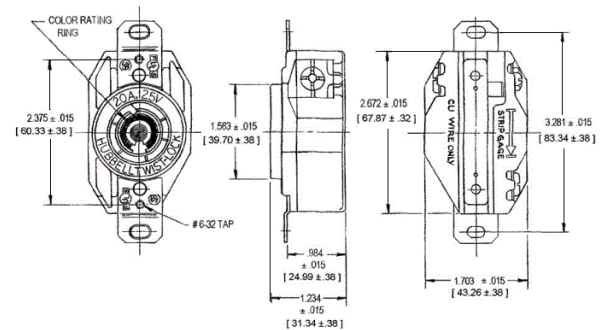
### Mechanical

Terminal Accommodation #16 AWG - #8 AWG solid or stranded copper wire only.

Terminal Identification Terminals identified in accordance with UL 498

### Environmental

Flammability V2 or better per UL94/CSA 22.2 No.0.17  
 Moisture Resistance IP20 Suitability  
 Operating Temperatures Maximum Continuous 75°C; Minimum -40°C (w/o impact)



## Accessories

Plug HBL2311  
 Wallplate or Weatherproof Cover 1.60" Opening

## Resources

eCatalog

Dimensions in Inches (mm)

Hubbell Wiring Device-Kellems • Hubbell Incorporated (Delaware) • 40 Waterview Drive • Shelton, CT 06484

Phone (800) 288-6000 • Fax (800) 255-1031 • Specifications subject to change without notice.

