

Twist-Lock® Devices  
 20A, 125V AC; 2 Pole, 3 Wire Grounding  
 Insulgrip® Connector



**Features**

- All black ribbed nylon housing provides a secure grip and impact and chemical resistance.
- Superior cord grip design protects terminations from excess strain.
- Clear, funnel shaped wire entry for ease of termination.
- Integral dust shield protects wiring chamber from dust or contaminants.

**Ordering Information**

Description	Cord Diameter	UPC	Catalog Number
Black nylon.	.360"-.930"(9-24)	783585040912	HBL2313EBK

**Listings**

Listed to UL 498  
 Fed.Spec. W-C-596  
 Certified to CSA C22.2 No.42

**Specifications**

Housing / Cord Clamp	Nylon
Terminal Retainer	Clear polycarbonate
Contacts	Brass
Terminal Screws	#10-32 Brass (Phillips / Slotted / Robertson)
Terminal Clamp	Cold rolled steel – nickel plated
Assembly Screws	Steel - nickel plated

**Performance**

**Electrical**

Current Interrupting	Certified for current interrupting at full rated current
Dielectric Voltage	Withstands 2,000V minimum

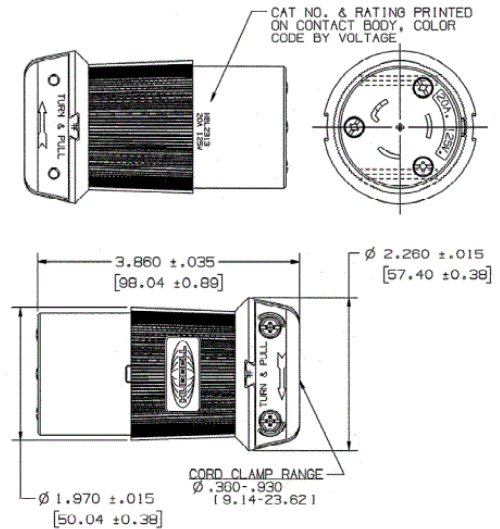
**Mechanical**

Terminal Accommodation	#16 AWG - #8 AWG stranded copper wire only.
------------------------	---

Terminal Identification	Terminals identified in accordance with UL 498
-------------------------	--

**Environmental**

Flammability	HB or better per UL94 or CSA 22.2 No. 0.6
Moisture Resistance	IP20 Suitability
Operating Temperatures	Maximum Continuous 75°C Minimum -40°C (w/o impact)



**Accessories**

Plug	HBL2311EBK
Weatherproof Boot	HBL6036

**Resources**

Customer Use Drawing  
 eCatalog

Dimensions in Inches (mm)

Hubbell Wiring Device-Kellems • Hubbell Incorporated (Delaware) • 40 Waterview Drive • Shelton, CT 06484

Phone (800) 288-6000 • Fax (800) 255-1031 • Specifications subject to change without notice.

