

Twist-Lock® Devices  
 20A, 250V AC; 2 Pole, 3 Wire Grounding  
 Insulgrip® Connector



**Features**

- All black ribbed nylon housing provides a secure grip and impact and chemical resistance.
- Superior cord grip design protects terminations from excess strain.
- Clear, funnel shaped wire entry for ease of termination.
- Integral dust shield protects wiring chamber from dust or contaminants.

**Ordering Information**

Description	Cord Diameter	UPC	Catalog Number
Black nylon.	.360"-.930"(9-24)	783585040936	HBL2323EBK

**Listings**

Listed to UL 498  
 Fed.Spec. W-C-596  
 Certified to CSA C22.2 No.42

**Specifications**

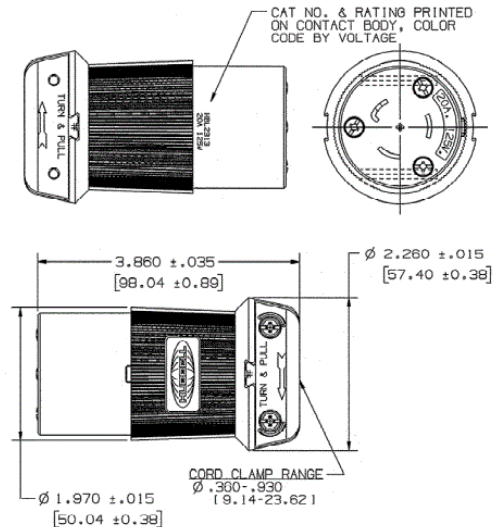
Housing / Cord Clamp	Nylon
Terminal Retainer	Clear polycarbonate
Contacts	Brass
Terminal Screws	#10-32 Brass (Phillips / Slotted / Robertson)
Terminal Clamp	Cold rolled steel – nickel plated
Assembly Screws	Steel - nickel plated

**Performance**

Electrical	
Current Interrupting	Certified for current interrupting at full rated current
Dielectric Voltage	Withstands 2,000V minimum

Mechanical	
Terminal Accommodation	#16 AWG - #8 AWG stranded copper wire only.
Terminal Identification	Terminals identified in accordance with UL 498

Environmental	
Flammability	HB or better per UL94 or CSA 22.2 No. 0.6
Moisture Resistance	IP20 Suitability
Operating Temperatures	Maximum Continuous 75°C Minimum -40°C (w/o impact)



**Accessories**

Plug	HBL2321EBK
Weatherproof Boot	HBL6036

**Resources**

Customer Use Drawing  
 eCatalog

