

Coupling

Features

- Uses HBL 2400 Series raceway and fitting and accessories to customize the install
- Scratch resistant finish
- For use upto 600V AC

Ordering Information

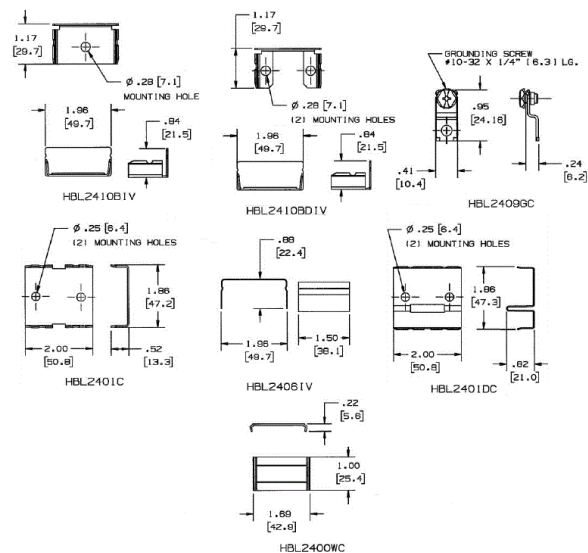
Accessory Type	Color	UPC Number
Coupling	Galvanized Steel	783585341743

Listings

UL Standard UL 5
E253976 /E253830 /E253833
CSA Standard C22.2 no. 62

Specifications

Raceway Series	HBL2400 and HBL2400D Series
Material	Steel
Finish	Galvanized Steel



Related Products

Raceway Base and Cover	HBL2400BCDC
Raceway Base, Divided	HBL2400BDIV
Raceway Base	HBL2400BIV
Raceway Cover	HBL2400CIV

Online Resources

Customer Sales Drawings
eCatalog
Installation Instructions