

Hubbell Raceway  
HBL2400 and HBL2400D Series  
Entrance Fitting

# HUBBELL

### Features

- Uses HBL 2400 Series raceway and fitting and accessories to customize the install
- Scratch resistant finish
- For use upto 600V AC

### Ordering Information

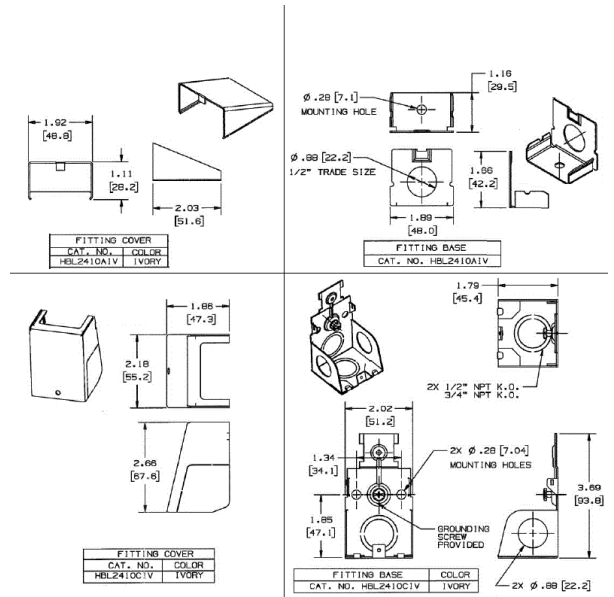
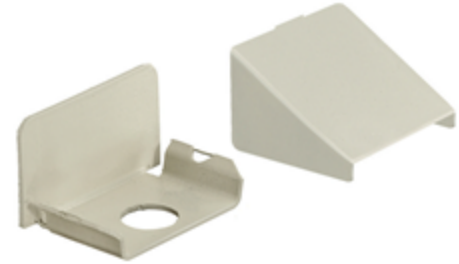
Accessory Type	Color	UPC Number
Entrance Fitting	Ivory	783585341521

### Listings

UL Standard UL 5  
E253976 /E253830 /E253833  
CSA Standard C22.2 no. 62

### Specifications

Raceway Series	HBL2400 and HBL2400D Series
Material	Steel
Finish	Painted, Ivory



### Related Products

Raceway Base and Cover	HBL2400BCIV
Raceway Base, Divided	HBL2400BDIV
Raceway Base	HBL2400BIV
Raceway Cover	HBL2400CIV

### Online Resources

Customer Sales Drawings  
eCatalog  
Installation Instructions

Dimensions in Inches (mm)

Hubbell Wiring Device-Kellems • Hubbell Incorporated (Delaware) • 40 Waterview Drive • Shelton, CT 06484

Phone (800) 288-6000 • Fax (800) 255-1031 • Specifications subject to change without notice.

