

Twist-Lock® Devices  
 15A, 125V, 2 Pole, 3 Wire Grounding  
 Elastogrip® Plug

# HUBBELL

## Features

- Integral weatherproofing shroud seals connection between plug and connector
- Nylon compression nut keeps water and dust from getting into the body around the cord



## Ordering Information

Description	Cord Diameter	UPC	Catalog Number
Elastogrip® plug, yellow elastomer, dust tight	.300"-.655" (7.6-16.6)	783585235806	HBL2447

## Listings

Listed to UL 498  
 Fed.Spec. W-C-596  
 Certified to CSA C22.2 No.42

## Specifications

Terminal Retainer	Clear polycarbonate
Cord Clamp	Nylon
Blades	Brass
Terminal Screws	Brass
Cord Clamp Screws	Steel, zinc plated
Assembly Screws	Steel, zinc plated

## Performance

### Electrical

Current Interrupting Certified for current interrupting at full rated current  
 Dielectric Voltage Withstands 2,000V minimum

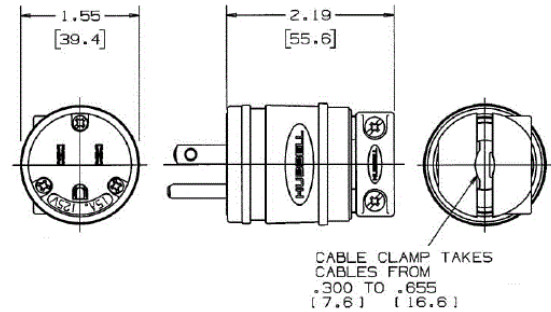
### Mechanical

Terminal Accommodation #18 AWG- #10 AWG stranded copper wire only.

Terminal Identification Terminals identified in accordance with UL 498

### Environmental

Flammability HB or better per UL94/CSA 22.2 No.0.17  
 Moisture Resistance IP20 Suitability  
 Operating Temperatures Maximum Continuous 75°C; Minimum -40°C (w/o impact)



## Accessories

Connector HBL2547

## Resources

Customer Use Drawing  
 eCatalog

Dimensions in Inches (mm)

Hubbell Wiring Device-Kellems • Hubbell Incorporated (Delaware) • 40 Waterview Drive • Shelton, CT 06484

Phone (800) 288-6000 • Fax (800) 255-1031 • Specifications subject to change without notice.

