

Hubbell Raceway  
**HBL2400 and HBL2400D Series**  
**Flush Plate Adapter**

# HUBBELL

**Features**

- Uses HBL 2400 Series raceway and fitting and accessories to customize the install
- Scratch resistant finish
- For use upto 600V AC

**Ordering Information**

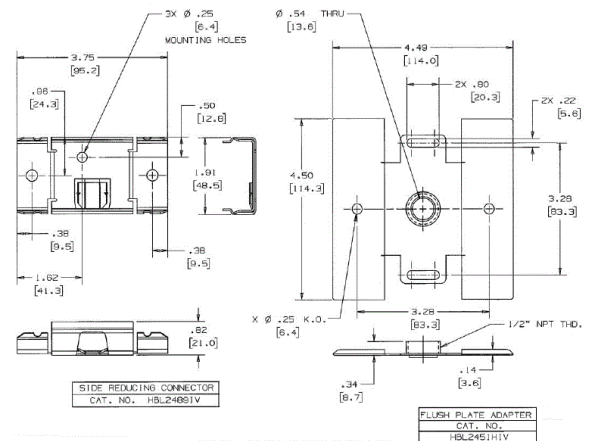
Accessory Type	Color	UPC Number
Flush Plate Adapter	Ivory	783585341729

**Listings**

UL Standard UL 5  
 E253976 /E253830 /E253833  
 CSA Standard C22.2 no. 62

**Specifications**

Raceway Series	HBL2400 and HBL2400D Series
Material	Steel
Finish	Painted, Ivory



**Related Products**

Raceway Base and Cover	HBL2400BCIV
Raceway Base, Divided	HBL2400BDIV
Raceway Base	HBL2400BIV
Raceway Cover	HBL2400CIV

**Online Resources**

- Customer Sales Drawings
- eCatalog
- Installation Instructions

Dimensions in Inches (mm)

Hubbell Wiring Device-Kellems • Hubbell Incorporated (Delaware) • 40 Waterview Drive • Shelton, CT 06484

Phone (800) 288-6000 • Fax (800) 255-1031 • Specifications subject to change without notice.

