

## Locking Devices

### Hubbelock

## 50A 250V, 2-Pole 3-Wire Receptacle

### Features

- Mobile X-Ray Devices

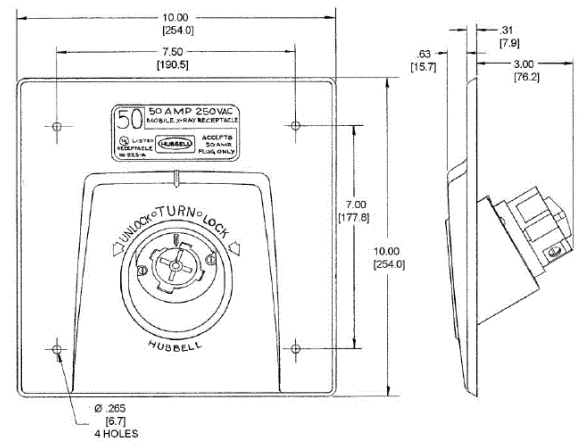
### Ordering Information

Finish	Application	UPC	Catalog Number
Cast Aluminum	Hospital Use	783585016023	HBL25503

### Specifications

Current/Amperage	50 A
Phase	Single Phase
Wire Size	#4 AWG
NEMA Rating	Non NEMA

# HUBBELL



### Online Resources

[Customer Sales Drawings](#)  
[eCatalog](#)  
[Installation Instructions](#)

Dimensions in Inches (mm)

Hubbell Wiring Device-Kellems • Hubbell Incorporated (Delaware) • 40 Waterview Drive • Shelton, CT 06484

Phone (800) 288-6000 • Fax (800) 255-1031 • Specifications subject to change without notice.

