

Locking Devices

Hubbelock

60A 250V, 2-Pole 3-Wire Receptacle

Features

- Mobile X-Ray Devices

Ordering Information

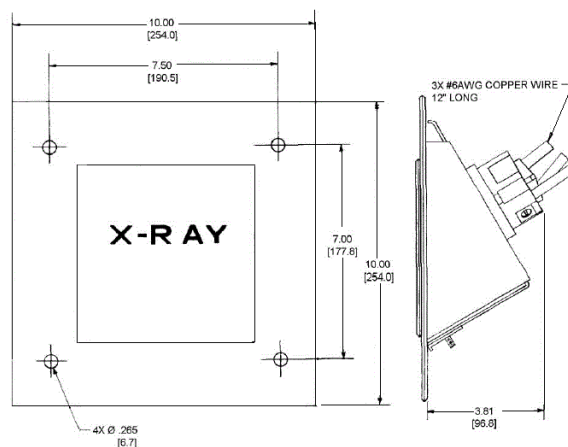
Finish
Stainless Steel

UPC
783585016085

Catalog Number
HBL25605

Specifications

Current/Amperage	60 A
Phase	Single Phase
Wire Size	#4 AWG
NEMA Rating	Non NEMA



Online Resources

[Customer Sales Drawings](#)
[eCatalog](#)
[Installation Instructions](#)

Dimensions in Inches (mm)

Hubbell Wiring Device-Kellems • Hubbell Incorporated (Delaware) • 40 Waterview Drive • Shelton, CT 06484

Phone (800) 288-6000 • Fax (800) 255-1031 • Specifications subject to change without notice.

