

Twist-Lock® Devices
30A, 2 Pole, 3 Wire, 240VAC, Line to Neutral

HUBBELL

Insulgrip® Receptacle

Features

- Wire restraint recess for both back and side wiring, greatly reduces the possibility of loosening the terminal connection
- Face color coding by voltage facilitates locating and mating of proper devices
- All-brass mounting and grounding system provides a lower resistance ground path and greater resistance to corrosion than steel mounting systems



30A 240V AC
 NEMA L25-30R
 UL/CSA



Ordering Information

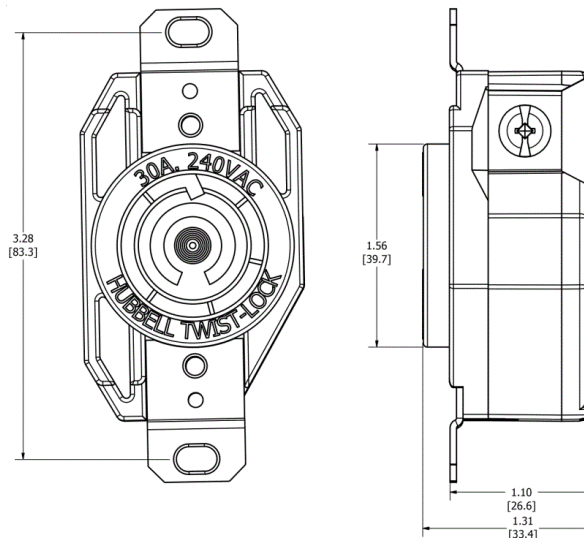
Description	Device Color	UPC Number	Catalog Number
Black Nylon	Black	783585580319	HBL2600

Listings

Listed to UL 498
 Fed.Spec. W-C-596
 Certified to CSA C22.2 No.42

Specifications

Face	Nylon
Base	Glass-Reinforced thermoplastic polyester (RTP)
Contacts	Brass
Terminal Screws	#10-32 Brass
Mounting Strap	Brass



Performance

Electrical

Current Interrupting	Certified at full rated current
Dielectric voltage	2,000V minimum

Mechanical

Terminal Accommodation	#16 - #8 AWG stranded
Terminal Identification	Terminals identified in accordance with UL498

Environmental

Flammability	HB or better per UL94/CSA 22.2 No.0.17
Moisture Resistance	IP20 Suitability
Operating Temperatures	Maximum Continuous 75C Minimum -40C (w/o impact)

Complementary Products

Wallplate or Weatherproof Cover	1.60" Opening
Plug	HBL2601

Online Resources

eCatalog

Dimensions in Inches (mm)

Hubbell Wiring Device-Kellems • Hubbell Incorporated (Delaware) • 40 Waterview Drive • Shelton, CT 06484

Phone (800) 288-6000 • Fax (800) 255-1031 • Specifications subject to change without notice.

