

Twist-Lock® Devices 30A, 2 Pole, 3 Wire, 240VAC, Line to Neutral

HUBBELL

Insulgrip® Inlet

Features

- Backwired terminations for ease of installation
- #10-32 Multiple drive terminal screws (Slotted, Phillips, Robertson)
- Mounting screws included



30A 240V AC
NEMA L25-30P
UL/CSA



Ordering Information

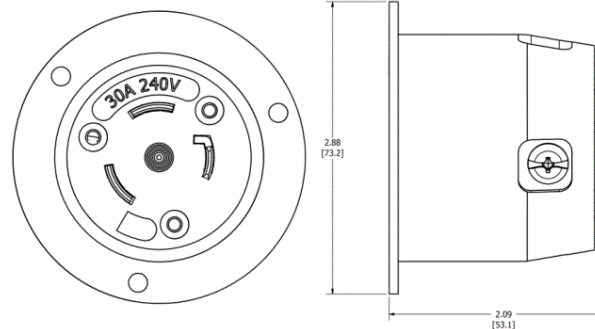
Description	Device Color	UPC Number	Catalog Number
White Nylon	White	783585580302	HBL2605

Listings

Listed to UL 498
Fed.Spec. W-C-596
Certified to CSA C22.2 No.42

Specifications

Terminal Screws	#10-32 Brass
Housing/Flange	Nylon
Terminal Retainer	Clear Polycarbonate
Blades	Brass
Assembly Screws	Steel – nickel plated



Performance

Electrical

Current Interrupting	Certified at full rated current
Dielectric voltage	2,000V minimum

Mechanical

Terminal Accommodation	#16 - #8 AWG stranded
Terminal Identification	Terminals identified in accordance with UL498

Environmental

Flammability	HB or better per UL94/CSA 22.2 No.0.17
Moisture Resistance	IP20 Suitability
Operating Temperatures	Maximum Continuous 75C Minimum -40C (w/o impact)

Complementary Products

Connector	HBL2603
Weatherproof Lift Cover	WP2

Online Resources

eCatalog

Dimensions in Inches (mm)

Hubbell Wiring Device-Kellems • Hubbell Incorporated (Delaware) • 40 Waterview Drive • Shelton, CT 06484

Phone (800) 288-6000 • Fax (800) 255-1031 • Specifications subject to change without notice.

