

Twist-Lock® Devices
 30A, 125V AC, 2 Pole, 3 Wire Grounding
 Safety-Shroud® Receptacle

HUBBELL

Features

- Alignment arrows with lock and unlock symbols provide a visual indication that devices are properly connected
- Catalog number and color coded voltage rating are visible even when in use
- Engineered thermoplastic housing is impact and corrosion resistant, making it suitable for heavy-duty industrial environments



Ordering Information

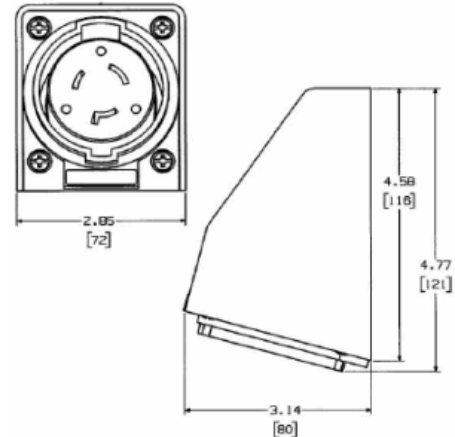
| Description | Device Color | UPC | Catalog Number |
|------------------------------|--------------|--------------|----------------|
| RPT angle housing, one gang. | Gray | 783585234243 | HBL2610AR |

Listings

Listed to UL 498
 Fed.Spec. W-C-596
 Certified to CSA C22.2 No.42

Specifications

| | |
|----------------------|-----------------------|
| Housing / Flange | Gray RPT |
| Terminal Retainer | Clear polycarbonate |
| Body Contact Carrier | Natural (white) nylon |
| Body Holding Screws | Steel, zinc plated |
| Contacts | Brass |
| Mounting Plate | Steel, zinc plated |



Performance

| | |
|-------------------------|--|
| Electrical | |
| Current Interrupting | Certified for current interrupting at full rated current |
| Dielectric Voltage | Withstands 2,000V minimum |
| Mechanical | |
| Terminal Accommodation | #16 AWG - #8 AWG solid or stranded copper wire only. |
| Terminal Identification | Terminals identified in accordance with UL 498 |
| Environmental | |
| Flammability | V2 or better per UL94/CSA 22.2 No.0.17 |
| Moisture Resistance | IP20 Suitability |
| Operating Temperatures | Maximum Continuous 75°C; Minimum -40°C (w/o impact) |

Accessories

| | |
|------|----------|
| Plug | HBL2611S |
|------|----------|

Resources

Customer Use Drawing
 eCatalog

Dimensions in Inches (mm)

Hubbell Wiring Device-Kellems • Hubbell Incorporated (Delaware) • 40 Waterview Drive • Shelton, CT 06484

Phone (800) 288-6000 • Fax (800) 255-1031 • Specifications subject to change without notice.

