

Twist-Lock® Devices

30A, 125V, 2 Pole, 3 Wire Grounding Spring Termination Single Flush Receptacle

HUBBELL

Features

- Faster termination time
- No need for screwdriver and torque wrench
- Spring Termination eliminates strand relaxation
- High-impact, abuse-resistant nylon face
- Face color coding by voltage facilitates locating and mating of proper devices

Ordering Information

Description	Device Color	UPC	Catalog Number
Nylon face, back wire.	Black	783585569567	HBL2610ST

Listings

Listed to UL 498
Certified to CSA C22.2 No.42

Specifications

Face	Nylon
Base	Nylon
Contacts	Brass
Spring	Steel
Mounting Strap	Brass

Performance

Electrical	
Current Interrupting	Certified for current interrupting at full rated current

Dielectric Voltage	Withstands 2,000V minimum
--------------------	---------------------------

Mechanical

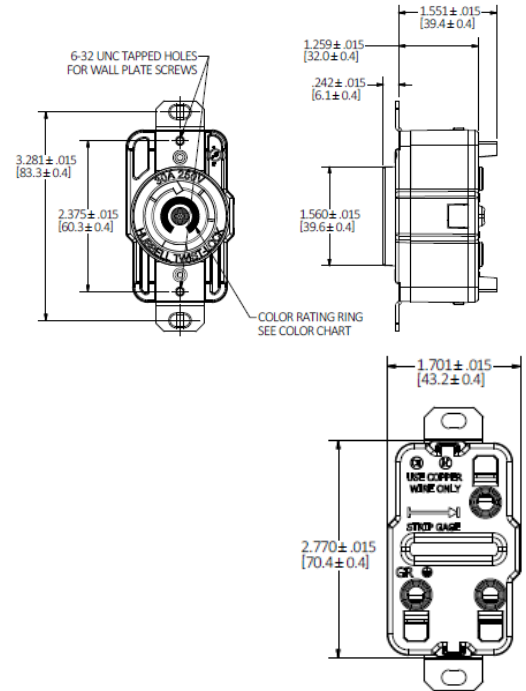
Terminal Accommodation	14 AWG - 10 AWG solid, 14 AWG - 8 AWG stranded (including compact stranded)
Terminal Identification	Terminals identified in accordance with UL 498

Environmental

Flammability	V2 or better per UL94/CSA 22.2 No.0.17
Moisture Resistance	IP20 Suitability
Operating Temperatures	Maximum Continuous 75°C; Minimum -40°C (w/o impact)



30A 125V
NEMA L5-30R
UL/CSA
2 HP



Complementary Products

Plug	HBL2611
Wallplate or Weatherproof Cover	1.60" Opening
Switched Enclosure	SETL3

Online Resources

Customer Use Drawing
eCatalog
Installation Instructions

Dimensions in Inches (mm)

Hubbell Wiring Device-Kellems • Hubbell Incorporated (Delaware) • 40 Waterview Drive • Shelton, CT 06484

Phone (800) 288-6000 • Fax (800) 255-1031 • Specifications subject to change without notice.

