

## Power and A/V Activation Box

### Wall Boxes

### A/V Wall Boxes

# HUBBELL

#### Features

- Ideal for delivering power, data and AV side-by-side
- Includes Raised Grounding Screws
- Compatible with 3-Gang Mud Rings, HBL792, HBL793 or HBL794
- Accepts HBL981 and HBL981AVD Low Voltage Dividers

#### Ordering Information

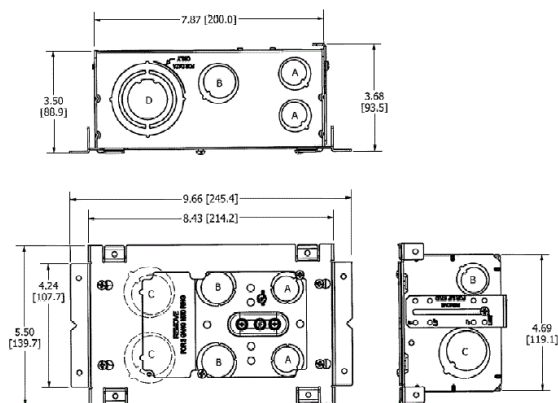
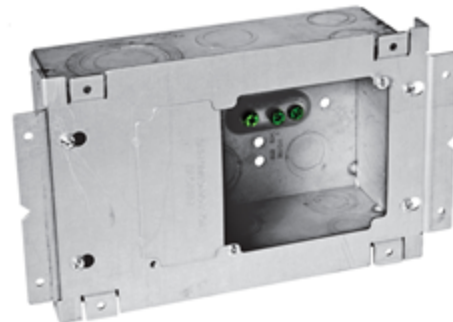
Description	UPC Number	Catalog Number
Wall Boxes Data Box	783585445472	HBL263

#### Listings

UL Listed

#### Specifications

Material	Pre Galvanized Steel
Cubic Capacity	113.3 cu.in.
Knockouts	Sides- (4) 1/2"-3/4" TKO, (4) 3/4"- 1" TKO, (2) 1"- 1-1/4" TKO, (2) 1"-2" KO. Back- (2) 1/2"-3/4" TKO, (2) 3/4"- 1" TKO, (2) 1"-1-1/4" TKO
Mounting Method	Integral Mounting Bracket
Mechanical	Wall Boxes, Data Box, 3-Gang, Large Data Box, 3.25" Deep, With Mounting Bracket



#### Online Resources

Customer Sales Drawings  
eCatalog

Dimensions in Inches (mm)

Hubbell Wiring Device-Kellems • Hubbell Incorporated (Delaware) • 40 Waterview Drive • Shelton, CT 06484

Phone (800) 288-6000 • Fax (800) 255-1031 • Specifications subject to change without notice.

