

Hubbellock® Devices  
 60A, 600V AC, 4 Pole, 5 Wire Grounding  
 Hubbellock® Connector

# HUBBELL

## Features

- Spring loaded safety shutter contains arcing when mating or un-mating devices under load
- Spring loaded safety shutter automatically ejects the plug eliminating contact teasing
- Box terminals in conjunction with stainless steel screws provide maximum termination strength and dependability
- Insulated, color coded metallic housing enhances safety and abuse resistance

## Ordering Information

Description	Cord Diameter	UPC	Catalog Number
Black phenolic interior with blue thermoplastic sleeve over steel cover	1.00"-1.50"(25.40-38.10)	783585017501	HBL26516

## Listings

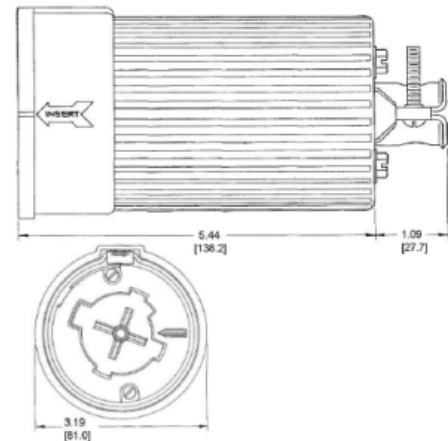
Listed to UL 498  
 Certified to CSA C22.2 No.42

## Specifications

Device Color	Blue
Housing	Steel Housing / Blue Polycarbonate Cover
Cord Clamp	Steel
Connector Interior	Phenolic
Contacts / Springs	Copper alloy
Terminal	Copper
Terminal Screws	Stainless steel

## Performance

<b>Electrical</b>	
Current Interrupting	Certified for current interrupting at full rated current
Dielectric Voltage Withstand	2,000V minimum
<b>Mechanical</b>	
Terminal Accommodation	#8 AWG - #4 AWG stranded copper wire only.
Terminal Identification	Terminals identified in accordance with UL 498
<b>Environmental</b>	
Flammability	UL 94 VO
Moisture Resistance	IP30 Suitability
Operating Temperatures	Maximum Continuous 75°C; Minimum -40°C (w/o impact)



## Accessories

Plug	HBL26519
Flanged Inlet	HBL26522

## Resources

Customer Use Drawing  
 eCatalog

Dimensions in Inches (mm)

Hubbell Wiring Device-Kellems • Hubbell Incorporated (Delaware) • 40 Waterview Drive • Shelton, CT 06484

Phone (800) 288-6000 • Fax (800) 255-1031 • Specifications subject to change without notice.

