

Twist-Lock® Devices  
 30A, 125/250V AC, 3 Pole, 4 Wire Grounding  
 Watertight Safety-Shroud® Reverse  
 Service Connector

# HUBBELL

## Features

- Alignment arrows with lock and unlock symbols provide a visual indication that devices are properly connected
- Superior cord grip design protects terminations from excess strain
- UL Type 4X Environmental seal protects connection while in use.

## Ordering Information

Description	Cord Diameter	UPC	Catalog Number
Reverse service, black housing, white clamps.	.350"-1.150"(9-29)	783585231792	HBL2713SR



## Listings

Listed to UL 498  
 Fed.Spec. W-C-596  
 Certified to CSA C22.2 No.42

## Specifications

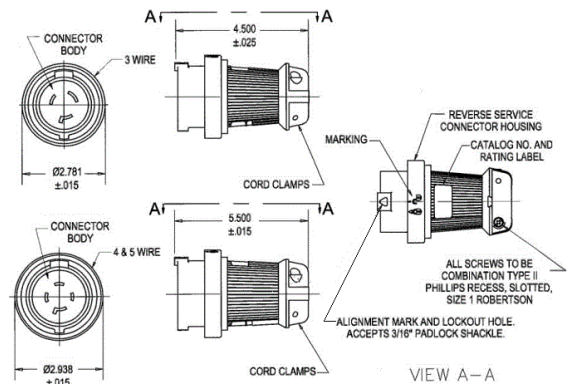
Housing / Cord Clamp	PBT
Terminal Retainer	Clear polycarbonate
Contacts	Brass
Terminal Screws	#10-32 Brass (Phillips / Slotted / Robertson)
Terminal Clamp	Cold rolled steel – nickel plated
Assembly Screws	Stainless Steel
Watertight Gland	Neoprene

## Performance

Electrical	
Current Interrupting	Certified for current interrupting at full rated current
Dielectric Voltage	Withstands 2,000V minimum

Mechanical	
Terminal Accommodation	#16 AWG - #8 AWG stranded copper wire only.
Terminal Identification	Terminals identified in accordance with UL 498

Environmental	
Flammability	HB or better per UL94/CSA 22.2 No.0.17
Moisture Resistance	IP20 Suitability
Operating Temperatures	Maximum Continuous 75°C; Minimum -40°C (w/o impact)



## Accessories

Watertight Safety Shroud	HBL2715SWR
Reverse Service Inlet	

## Resources

Customer Use Drawing  
 eCatalog

Dimensions in Inches (mm)

Hubbell Wiring Device-Kellems • Hubbell Incorporated (Delaware) • 40 Waterview Drive • Shelton, CT 06484

Phone (800) 288-6000 • Fax (800) 255-1031 • Specifications subject to change without notice.

