

Twist-Lock® Devices
 30A, 3 Phase 600V AC, 3 Pole, 4 Wire
 Grounding
 Watertight Safety-Shroud® Flanged Inlet

HUBBELL

Features

- UL Type 4X Environmental seal protects connection while in use.
- One-piece, engineered thermoplastic housing is impact-resistant for heavy-duty industrial environments
- Alignment arrows and lock and unlock symbols provide a visual indication that devices are properly connected.
- Closure cap is included for environmental seal when device is not in use
- Catalog number and color-coded voltage rating are easily visible even when in use

Ordering Information

Description	Device color	UPC	Catalog Number
Gray PBT housing and flange	Gray	783585232041	HBL2745SW

Listings

Listed to UL 498
 Fed.Spec. W-C-596
 Certified to CSA C22.2 No.42
 UL Listed, CSA Certified to Type 4, 4X and Type 12

Specifications

Housing / Flange	Gray PBT
Terminal Retainer	Clear polycarbonate
Blades	Brass
Terminal Screws	#10-32 Brass (Phillips / Slotted / Robertson)
Assembly Screws	Stainless Steel
Mounting Sscrew	Stainless Steel

Performance

Electrical

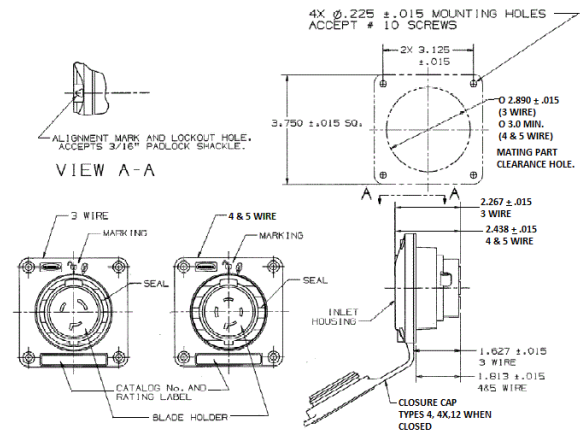
Current Interrupting	Certified for current interrupting at full rated current
Dielectric Voltage	Withstands 2,000V minimum

Mechanical

Terminal Accommodation	#16 AWG - #8 AWG solid or stranded copper wire only.
Terminal Identification	Terminals identified in accordance with UL 498

Environmental

Flammability	V0 per UL94 or CSA 22.2 No.0.17
Moisture Resistance	Type 4, 4X, 12, IP66 suitability
Operating Temperatures	Maximum Continuous 75°C; Minimum -40°C (w/o impact)



Accessories

Watertight Safety Shroud Connector	HBL2743SW
Non-Metallic Backbox	BB2030N
2-Gang Weatherproof Box Adapter Plate	HBL2030AP

Resources

Customer Use Drawing
 eCatalog

Dimensions in Inches (mm)

Hubbell Wiring Device-Kellems • Hubbell Incorporated (Delaware) • 40 Waterview Drive • Shelton, CT 06484

Phone (800) 288-6000 • Fax (800) 255-1031 • Specifications subject to change without notice.

