

Twist-Lock[®] Devices

30A, 3 Phase Y 277/480V AC, 4 Pole, 4 Wire
Non-Grounding

Insulgrip[®] Flanged Receptacle

Features

- Impact resistant thermoplastic construction
- Backwired terminations for ease of installation
- #10-32 Multiple drive terminal screws (Slotted, Phillips, Robertson)
- Mounting screws included

Ordering Information

Description	Device Color	UPC	Catalog Number
Nylon casing, back wired.	White	783585039503	HBL2766

Listings

Listed to UL 498
Fed.Spec. W-C-596
Certified to CSA C22.2 No.42

Specifications

Housing	Nylon
Terminal Retainer	Clear polycarbonate
Contacts	Brass
Terminal Screws	#10-32 Brass (Phillips / Slotted / Robertson)
Terminal Clamp	Cold rolled steel – nickel plated
Assembly Screws	Steel - nickel plated
Mounting Screw	Nickel plated brass

Performance

Electrical	
Current Interrupting	Certified for current interrupting at full rated current

Dielectric Voltage	Withstands 2,000V minimum
--------------------	---------------------------

Mechanical

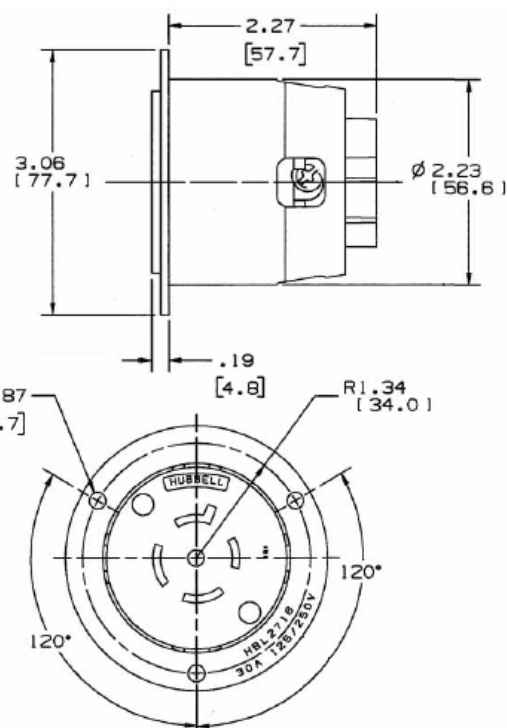
Terminal Accommodation	#16 AWG - #8 AWG solid or stranded copper wire only.
------------------------	--

Terminal Identification	Terminals identified in accordance with UL 498
-------------------------	--

Environmental

Flammability	V2 or better per UL94/CSA 22.2 No.0.17
Moisture Resistance	IP20 Suitability
Operating Temperatures	Maximum Continuous 75°C; Minimum -40°C (w/o impact)

HUBBELL



Complementary Products

Plug	HBL2761
Weatherproof Lift Cover	WP2

Online Resources

Customer Use Drawing
eCatalog
Installation Instructions

Dimensions in Inches (mm)

Hubbell Wiring Device-Kellems • Hubbell Incorporated (Delaware) • 40 Waterview Drive • Shelton, CT 06484

Phone (800) 288-6000 • Fax (800) 255-1031 • Specifications subject to change without notice.

