

## Single Pole Devices and Temporary Power

300A, 600V AC/250V DC

### Male Plug

#### Features

- Insulgrip® Style Housing for Superior Gripping
- Non-Conductive Retaining Screw locks contacts in place
- Large Raised Alignment Arrow aids in the mating of devices

# HUBBELL



#### Ordering Information

| Description  | Device Color | UPC          | Catalog Number |
|--|--------------|--------------|----------------|
| 300A, thermoplastic elastomer, cable size #6 - 2/0 AWG | Red          | 783585578729 | HBL300MRM1     |

#### Standards

UL and cUL Listed  
UL Enclosure Types 3R, 4X, 12  
National Electric Code (NEC), ANSI/NFPA 70

#### Specifications

|                          |                         |
|--------------------------|-------------------------|
| Base Compound            | Thermoplastic Elastomer |
| Contact Material         | Brass                   |
| Retaining Screw Material | Nylon                   |

#### Performance

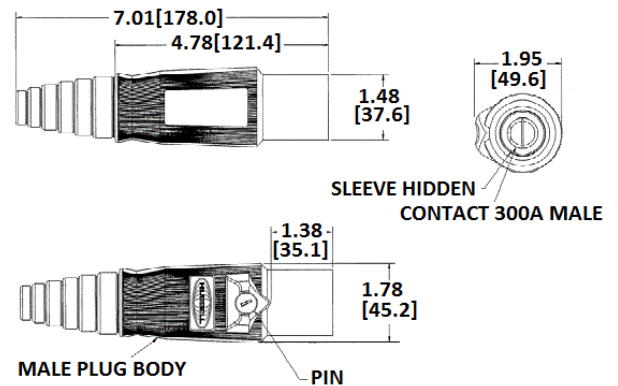
|                   |                                  |
|-------------------|----------------------------------|
| <b>Electrical</b> |                                  |
| Amperage Rating   | 400A Maximum                     |
| Voltage Ratings   | 600V AC Maximum; 250V DC Maximum |

|                        |  |
|------------------------|--|
| <b>Mechanical</b>      |  |
| Product Identification | Ratings are a permanent part of device |
| Terminal Accommodation | #6 to 2/0 AWG                          |

|                      |                               |
|----------------------|-------------------------------|
| <b>Environmental</b> |                               |
| Flammability         | HB per UL94 or CSA 22.2. 0.17 |

#### Online Resources

eCatalog



Dimensions in Inches (mm)

Hubbell Wiring Device-Kellems • Hubbell Incorporated (Delaware) • 40 Waterview Drive • Shelton, CT 06484

Phone (800) 288-6000 • Fax (800) 255-1031 • Specifications subject to change without notice.

