

Single Pole Devices and Temporary Power
Series 16 - 300 and 400A, 600V AC/DC
Replacement Contacts

HUBBELL

Ordering Information

Description	Accessory	UPC Number	Catalog Number
Replacement Female Pin Contact, 300A	Replacement Parts	783585112169	HBL300RCF

Listings

UL and cUL Listed
UL Enclosure Types 3R, 4X, 12
UL 498 and UL1691

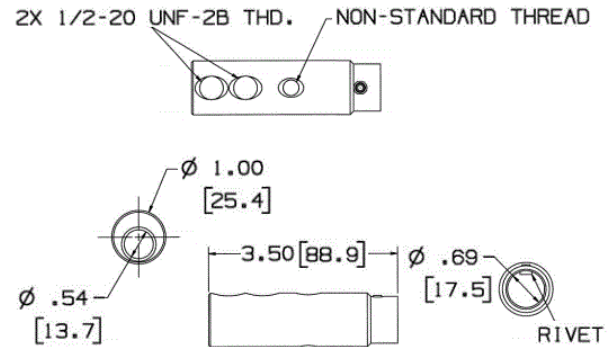
Specifications

Product Type	Accessories
Body Material	Thermoplastic Elastomer
Contact Material	Brass
Retaining Screw Material	Nylon

Performance

Electrical	
Amperage Rating	400A Maximum
Voltage Rating	600V AC/DC Maximum

Mechanical	
Product Identification	Ratings are a permanent part of the device



Online Resources

Customer Sales Drawings
eCatalog
Installation Instructions

Dimensions in Inches (mm)

Hubbell Wiring Device-Kellems • Hubbell Incorporated (Delaware) • 40 Waterview Drive • Shelton, CT 06484

Phone (800) 288-6000 • Fax (800) 255-1031 • Specifications subject to change without notice.

