

Hubbell Raceway
HBL3000 Series
End Cap



Features

- Uses HBL 3000 Series raceway and fitting and accessories to customize the install
- Scratch resistant finish
- For use upto 600V AC

Ordering Information

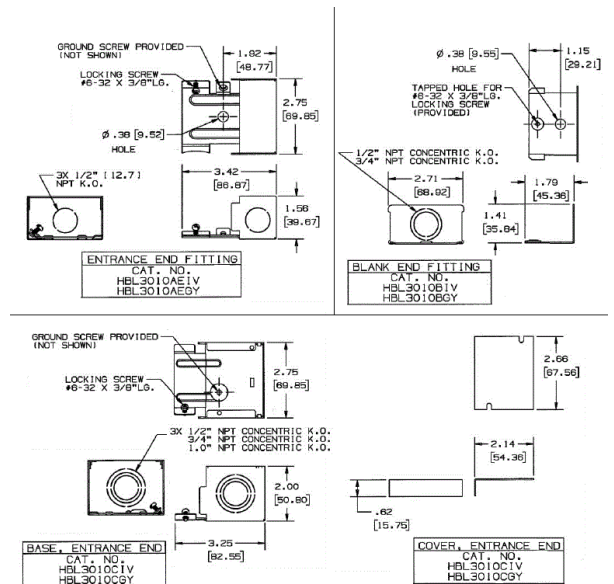
Accessory Type	Color	UPC Number
End Cap	Gray	783585215235

Listings

UL Standard UL 5
E253976 /E253830 /E253833
CSA Standard C22.2 no. 62

Specifications

Raceway Series	HBL3000 Series
Material	Steel
Finish	Painted, Gray



Related Products

Raceway Base	HBL3000BGY
Cover, 5'	HBL3000CEGY
Cover, 19.5"	HBL3000C195GY
Cover, 7.5"	HBL3000C075GY

Online Resources

- Customer Sales Drawings
- eCatalog
- Installation Instructions

Dimensions in Inches (mm)

Hubbell Wiring Device-Kellems • Hubbell Incorporated (Delaware) • 40 Waterview Drive • Shelton, CT 06484

Phone (800) 288-6000 • Fax (800) 255-1031 • Specifications subject to change without notice.

