

Locking Devices

NEMA Twist-Lock

30A 125V, 2-Pole 3-Wire Hull Inlet

HUBBELL

Ordering Information

Description	Color	UPC	Catalog Number
Marine Grade	Office White	783585040530	HBL303NM

Listings

UL Listed

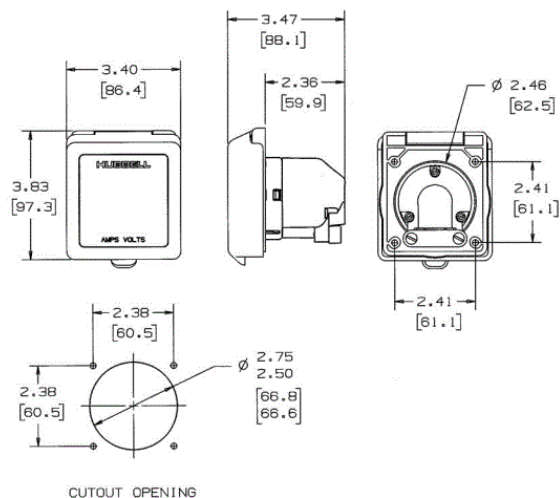
Specifications

Current/Amperage	30 A
Phase	Single Phase
Wire Size	#12 AWG to #10 AWG
NEMA Rating	L5-30P

Performance

Environmental

Moisture Resistance IP56 Suitability



Online Resources

Customer Sales Drawings
eCatalog
Installation Instructions

Dimensions in Inches (mm)

Hubbell Wiring Device-Kellems • Hubbell Incorporated (Delaware) • 40 Waterview Drive • Shelton, CT 06484

Phone (800) 288-6000 • Fax (800) 255-1031 • Specifications subject to change without notice.

