

30A 125V, 2-Pole 3-Wire Grounding Marine Grade, Hull Inlet

Features

- Friction tight self-closing cover assures the interior is shielded from the elements when the inlet is not in use
- Neoprene gasket on underside of cover. For sealing when the cover is closed
- Mirror stainless steel finish for superior appearance



Ordering Information

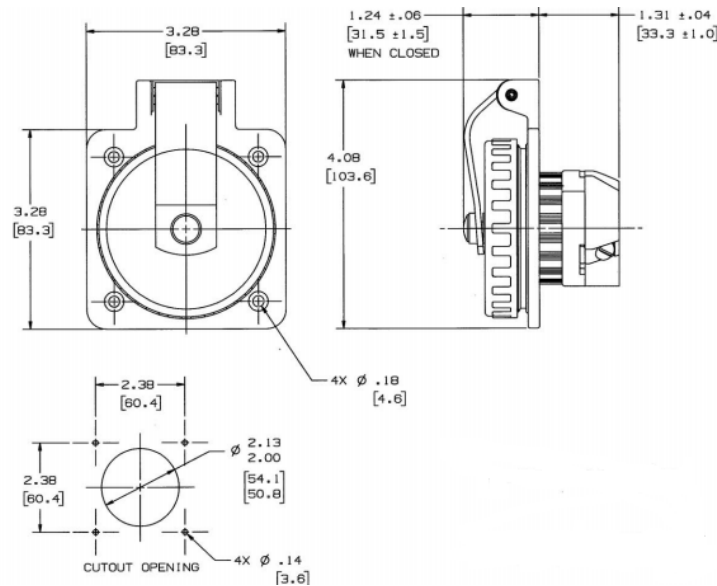
Description	UPC Number	Catalog Number
Marine Grade, Hull Inlet, 30A 125V, 2-Pole 3-Wire Grounding, L5-30R, Screw Terminal, Stainless Steel, Corrosion Resistant	783585040677	HBL303SSO

Listings

UL Listed
CSA Certified

Specifications

Performance	Environmental - Moisture Resistance - IP56 Suitability
Environmental Conditions	Weather Resistant
Material	Stainless Steel, Composite
Mounting Hardware	Screw Mounting
Connectivity	Screw Terminals
Wattage	3750
Wire Size	#10 AWG
NEMA Rating	L5-30R
Phase	Single Phase



Online Resources

eCatalog
Sales Drawing
Installation Instructions