

Watertight Devices  
Accessories  
Portable Outlet Box

# HUBBELL

## Features

- Fully thermoplastic elastomer housing exceeds UL crush requirements
- Wiring room large enough to accommodate the broadest range of device requirements
- Brass inserts for maximum strength

## Ordering Information

Description	Device Color	UPC	Catalog Number
Portable outlet box; deep; feed thru; no strain relief	Yellow	783585433844	HBL3080F

## Listings

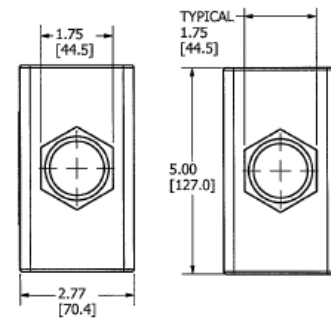
Listed to UL514C  
UL Type 3R  
Meets NEMA WD-1, WD-6 and ANSI standards

## Specifications

Box Enclosure	Thermoplastic Elastomer
Gotcha Ring	Polypropylene
Locknut	Steel, Zinc Plate
Threaded Inserts	Brass

## Performance

Environmental	
Flammability	UL94 V-0
Moisture Resistance	UL Type 3R
Operating temperatures	-40°C (without impact) to +60°C continuous
UV Resistance	All exposed materials are UV stabilized



## Complementary Products

Gray connector, 0.38"-0.50"	SHC1039CR
Gray connector, 0.50"-0.63"	SHC1040CR
Gray connector, 0.63"-0.75"	SHC1041CR
Gray connector, 0.75"-0.88"	SHC1042CR
UL Type 1 duplex outlet box cover	HBL3051
UL Type 3R duplex outlet box cover	HBL3056
UL Type 1 outlet box cover with 1.39" diameter single receptacle	HBL3052
UL Type 3R outlet box cover with 1.39" diameter single receptacle	HBL3057
UL Type 1 outlet box cover with 1.57" diameter single receptacle	HBL3055
UL Type 3R outlet box cover with 1.57" diameter single receptacle	HBL3058
UL Type 1 outlet box cover for GFCI receptacle	HBL3060
UL Type 3 outlet box cover for GFCI receptacle	HBL3061
Blank outlet box coverplate	HBL3054

## Online Resources

eCatalog

Dimensions in Inches (mm)

Hubbell Wiring Device-Kellems • Hubbell Incorporated (Delaware) • 40 Waterview Drive • Shelton, CT 06484

Phone (800) 288-6000 • Fax (800) 255-1031 • Specifications subject to change without notice.

