

## Locking Devices

### NEMA Twist-Lock

## 16A 230V 50 Cycles, 2-Pole 3-Wire Hull Inlet

# HUBBELL

### Ordering Information

Description	Color	UPC	Catalog Number
Marine Grade	White	783585040608	HBL316NM

### Listings

CE Certified

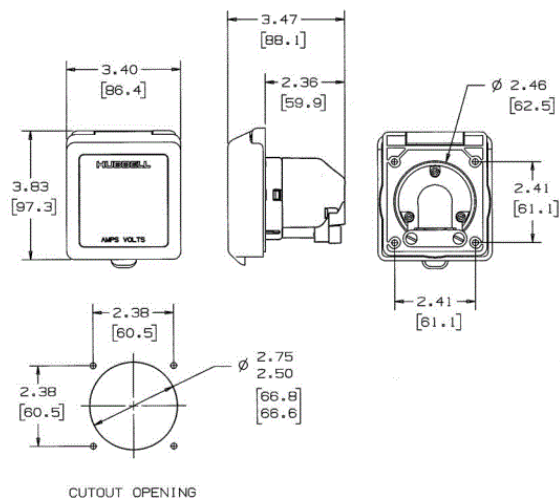
### Specifications

Current/Amperage	16 A
Phase	Single Phase
Wire Size	#14 AWG to #12 AWG

### Performance

#### Environmental

Moisture Resistance IP56 Suitability



### Online Resources

Customer Sales Drawings  
eCatalog  
Installation Instructions

Dimensions in Inches (mm)

Hubbell Wiring Device-Kellems • Hubbell Incorporated (Delaware) • 40 Waterview Drive • Shelton, CT 06484

Phone (800) 288-6000 • Fax (800) 255-1031 • Specifications subject to change without notice.

