

## Locking Devices

### NEMA Twist-Lock

# 16A V AC, 2-Pole 3-Wire 50 Cycles Round Hull Inlet

# HUBBELL

## Ordering Information

Description	Finish	UPC	Catalog Number
Marine Grade	Stainless Steel	783585040882	HBL316SSX

## Listings

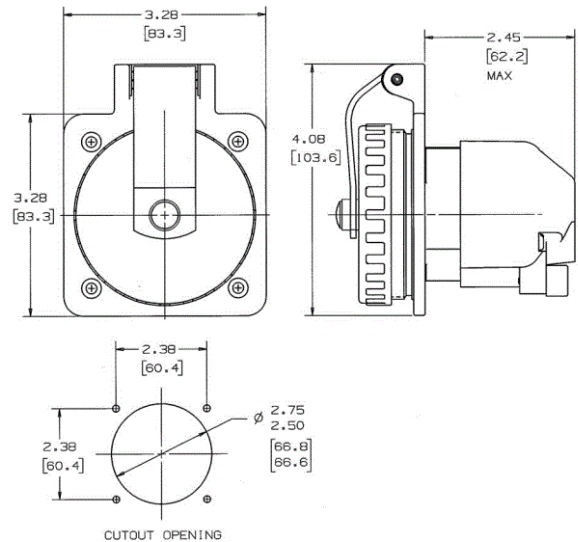
CE Certified

## Specifications

Current/Amperage	16 A
Phase	Single Phase
Wire Size	#14 AWG to #12 AWG

## Performance

Environmental	
Moisture Resistance	IP56 Suitability



## Online Resources

Customer Sales Drawings  
eCatalog  
Installation Instructions

Dimensions in Inches (mm)

Hubbell Wiring Device-Kellems • Hubbell Incorporated (Delaware) • 40 Waterview Drive • Shelton, CT 06484

Phone (800) 288-6000 • Fax (800) 255-1031 • Specifications subject to change without notice.

