

Twist-Lock® Devices 20A, 250V AC, 2 Pole, 2 Wire Non-Grounding Stainless Steel Flanged Receptacle

HUBBELL

Features

- Heat resistant thermoset construction
- Stainless steel casing
- #8-32 terminal screws
- Mounting screws included

Ordering Information

Description	Device Color	UPC	Catalog Number
Stainless steel casing, black phenolic.	Black/Stainless	783585236292	HBL3226

Listings

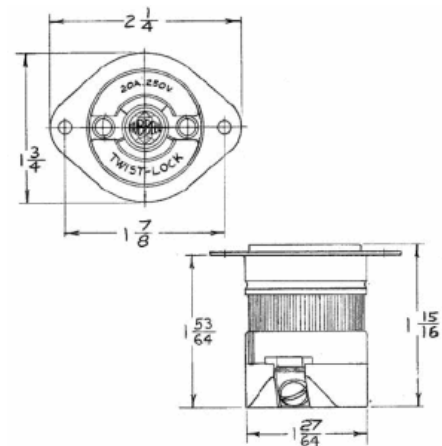
Listed to UL 498
Fed.Spec. W-C-596

Specifications

Flange	Stainless steel
Contacts	Brass / Bronze
Terminal Screws	Brass
Mounting Screw	Nickel plated brass

Performance

Electrical	
Current Interrupting	Certified for current interrupting at full rated current
Dielectric Voltage	Withstands 2,000V minimum
Mechanical	
Terminal Accommodation	#16 - #10 AWG solid or stranded copper wire only.
Terminal Identification	Terminals identified in accordance with UL 498
Environmental	
Flammability	HB or better per UL94/CSA 22.2 No.0.17
Moisture Resistance	IP20 Suitability
Operating Temperatures	Maximum Continuous 75°C; Minimum -40°C (w/o impact)



Accessories

Plug	HBL7102C
------	----------

Resources

Customer Use Drawing
eCatalog

Dimensions in Inches (mm)

Hubbell Wiring Device-Kellems • Hubbell Incorporated (Delaware) • 40 Waterview Drive • Shelton, CT 06484

Phone (800) 288-6000 • Fax (800) 255-1031 • Specifications subject to change without notice.

