

## UL 1686 C1 Pin and Sleeve

30A, 600/250V AC/DC, 2 Pole, 3 Wire

## Insulgrip® Pin and Sleeve Receptacle

### Features

- Beryllium copper spring maintains high unit pressure on mating sleeves
- Closure cap with neoprene gasket for watertight seal when not in use
- O-Rings- provide a watertight and dust tight seal around pins negating contamination to the wire chamber
- Pin chamber confines arcing within the interior chamber

### Ordering Information

|   |                                   |                                     |
|---|-----------------------------------|-------------------------------------|
| <b>Description</b><br>Pin and Sleeve, Watertight Insulgrip Receptacle | <b>UPC</b><br>783585010106        | <b>Catalog Number</b><br>HBL330RS2W |
| <b>Device Color</b><br>Aluminum                                       | <b>Grounding Style</b><br>Style 2 |                                     |

### Standards

UL Standard 1682  
CSA Certified to CSA Spec. C22.2 No. 182.1  
UL Listed and CSA Certified Type 4X

### Specifications

|                 |                        |
|-----------------|------------------------|
| Housing         | Epoxy Painted Aluminum |
| Gaskets & Seals | Neoprene               |
| Contact Carrier | Thermoset Polyester    |
| Pin Spring      | Beryllium Copper       |
| Cover           | Epoxy Painted Aluminum |

### Performance

|  |   |
|--|---|
| <b>Electrical</b>                          |   |
| Current Interrupting                       | Certified for current interrupting at full rated current                  |
| Dielectric Voltage<br>Max. Working Voltage | Withstands 3,000V AC<br>600V AC RMS                                       |
| <b>Mechanical</b>                          |   |
| Impact Resistance                          | Per CSA C22.2, No. 182.1, UL 1682   |
| Product Identification                     | Identification and ratings are permanently fastened to the device housing |
| Terminal Identification                    | Terminals identified in accordance with UL 1686(1, 2, 3, Green)           |
| <b>Environmental</b>                       |   |
| Flammability (Enclosure)                   | UL 94V-0 and CSA C22.2 No. 0.17   |
| Moisture Resistance                        | Type 3, 4, 4X per UL 50E and CSA 22.2, No. 94                             |
| Operating Temperatures                     | Max. Continuous 75°C; Min. -40°C w/o impact -25° with impact              |

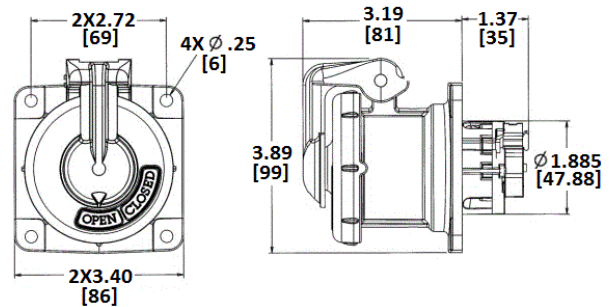
### Accessories

Back Boxes

### Online Resources

Customer Use Drawing  
eCatalog  
Installation Instructions

# HUBBELL



Dimensions in Inches (mm)

Hubbell Wiring Device-Kellems • Hubbell Incorporated (Delaware) • 40 Waterview Drive • Shelton, CT 06484

Phone (800) 288-6000 • Fax (800) 255-1031 • Specifications subject to change without notice.

