

Locking Devices

NEMA Twist-Lock

32A 230V AC 50 Cycles, 2-Pole 3-Wire Hull Inlet

HUBBELL

Features

- Screw Terminal

Ordering Information

Description	Color	UPC	Catalog Number
Marine Grade	White	783585040622	HBL332NM

Listings

CE Certified

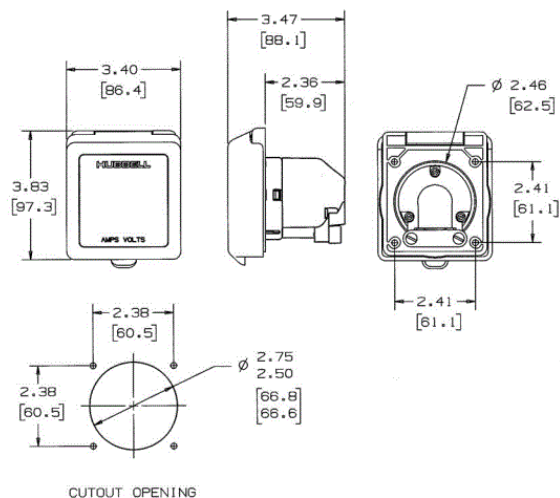
Specifications

Current/Amperage	32 A
Phase	Single Phase
Wire Size	#12 AWG to #10 AWG

Performance

Environmental

Moisture Resistance IP56 Suitability



Online Resources

Customer Sales Drawings
eCatalog
Installation Instructions

Dimensions in Inches (mm)

Hubbell Wiring Device-Kellems • Hubbell Incorporated (Delaware) • 40 Waterview Drive • Shelton, CT 06484

Phone (800) 288-6000 • Fax (800) 255-1031 • Specifications subject to change without notice.

