

## Heavy Duty Products

### 50A Twist-Lock

# Marine Grade, 63A 230V 2-Pole 3-Wire Flanged Inlet

# HUBBELL

## Features

- Terminal Screws

## Ordering Information

Color Blue	UPC 783585454887	Catalog Number HBL363SSX
---------------	---------------------	-----------------------------

## Listings

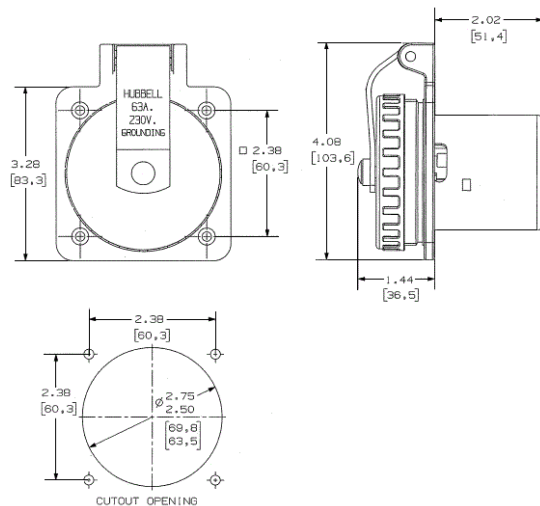
CE Certified

## Specifications

Current/Amperage	63 A
Phase	Single Phase
Wire Size	#8 AWG to #2 AWG

## Performance

Environmental Moisture Resistance	IP56 Suitability
--------------------------------------	------------------



## Online Resources

Customer Sales Drawings  
eCatalog  
Installation Instructions

Dimensions in Inches (mm)

Hubbell Wiring Device-Kellems • Hubbell Incorporated (Delaware) • 40 Waterview Drive • Shelton, CT 06484

Phone (800) 288-6000 • Fax (800) 255-1031 • Specifications subject to change without notice.

