

Straight Blade Devices  
 20A, 125V, 2 Pole, 3 Wire Grounding  
 4-PLEX® Receptacles

# HUBBELL

## Features

- Anchor hole and loop feature secures solid wire for fast, easy terminations
- Triple wipe contacts
- Easily accessible break-off tabs for split wiring
- Three conductors energize all four outlets

## Ordering Information

Description	Device Color	UPC	Catalog Number
Specification grade, 4-PLEX receptacle	Gray	783585014531	HBL420GY

## Listings

Listed to UL Standard 498 File E2186  
 Certified to CSA 22.2, No. 42 File 285  
 NEMA® WD-6 Compliant

## Specifications

Face	Polycarbonate
Base	PBT
Power Contacts	.032 in. (.8) Brass
Ground Contacts	.031 in. (.8) Brass
Ground Plate	.032 in. (.8) Plated Steel

## Performance

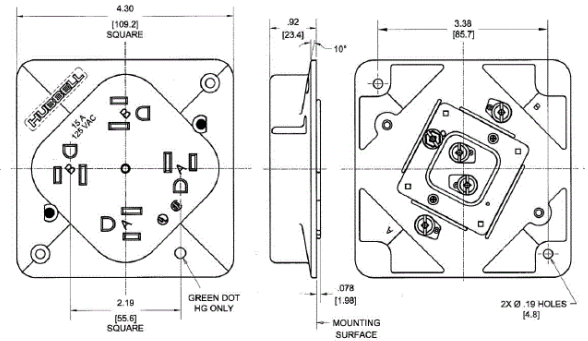
<b>Electrical</b>	
Current Interrupting	Capable of withstanding a fault level of 1000A, per UL498
Dielectric Voltage	Withstands 2,000V minimum

### Mechanical

Product Identification	Ratings are a permanent part of the device
Terminal Accommodation	#12 AWG stranded or solid copper conductor only
Terminal Identification	Terminals identified in accordance with UL 498 and CSA

### Environmental

Flammability	UL 94 V-2
Operating Temperatures	Maximum continuous 75°C; minimum -40°C (w/o impact)



## Accessories

4-PLEX Adapter Plate	HBL4APGY
----------------------	----------

## Resources

Customer Use Drawing  
 eCatalog

Dimensions in Inches (mm)

Hubbell Wiring Device-Kellems • Hubbell Incorporated (Delaware) • 40 Waterview Drive • Shelton, CT 06484

Phone (800) 288-6000 • Fax (800) 255-1031 • Specifications subject to change without notice.

