

Straight Blade Devices
 20A, 125V, 2 Pole, 3 Wire Grounding
 4-PLEX® Receptacles



Features

- Anchor hole and loop feature secures solid wire for fast, easy terminations
- Triple wipe contacts
- Easily accessible break-off tabs for split wiring
- Three conductors energize all four outlets

Ordering Information

Description	Device Color	UPC	Catalog Number
Specification grade, 4-PLEX receptacle	Brown	783585014098	HBL420

Listings

Listed to UL Standard 498 File E2186
 Certified to CSA 22.2, No. 42 File 285
 NEMA® WD-6 Compliant

Specifications

Face	Polycarbonate
Base	PBT
Power Contacts	.032 in. (.8) Brass
Ground Contacts	.031 in. (.8) Brass
Ground Plate	.032 in. (.8) Plated Steel

Performance

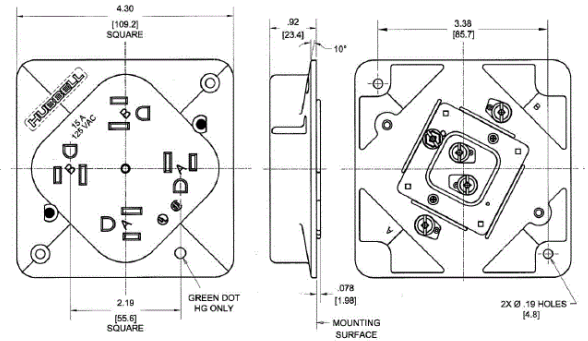
Electrical	
Current Interrupting	Capable of withstanding a fault level of 1000A, per UL498
Dielectric Voltage	Withstands 2,000V minimum

Mechanical

Product Identification	Ratings are a permanent part of the device
Terminal Accommodation	#12 AWG stranded or solid copper conductor only
Terminal Identification	Terminals identified in accordance with UL 498 and CSA

Environmental

Flammability	UL 94 V-2
Operating Temperatures	Maximum continuous 75°C; minimum -40°C (w/o impact)



Accessories

4-PLEX Adapter Plate	HBL4AP
4-PLEX Portable Box	HBL4PB

Resources

Customer Use Drawing
 eCatalog

