

## IEC Pin and Sleeve

30A, 3 Phase 600V AC, 3 Pole 4 Wire

## Mechanical Interlock

### Features

- Replaceable spring-loaded receptacle liftcover with gasket
- Plug-Check™ mechanism to detect the presence of plug

### Ordering Information

Description	UPC	Catalog Number
Pin and Sleeve fused circuit-lock interlock device	783585405933	HBL430MIF5W

**Color code**  
Black

### Standards

UL Listed for US and Canada  
CSA certified

### Specifications

Base and Top	Valox®
Handle	Valox®
Enclosure Gasket	Neoprene
Shaft	Brass
Shaft Seal	Neoprene

### Performance

<b>Electrical</b>	
Current Interrupting	Certified for current interrupting at full rated current and voltage
Dielectric Voltage	Withstands 3,000V AC Min
Max Working Voltage	600V AC

### Mechanical

Impact Resistance	In accordance with UL 746C
Mounting	External adjustment feet
Terminal Identification	In accordance with UL, CSA and international conventions

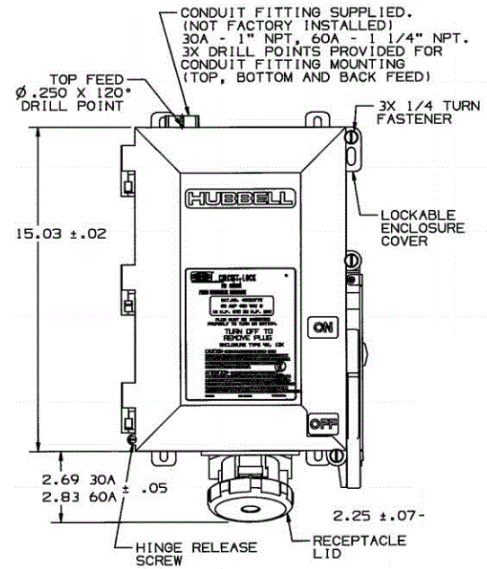
### Environmental

Flammability	UL94-5VA and V-0 Classification
Ingress Protection	IP66 Suitability
Operating Temperatures	Max. Continuous +75°C; Min. Continuous -40°C
UV Resistance	All materials are UV stabilized

### Online Resources

Customer Use Drawing  
eCatalog  
Installation Instructions

# HUBBELL



Dimensions in Inches (mm)

Hubbell Wiring Device-Kellems • Hubbell Incorporated (Delaware) • 40 Waterview Drive • Shelton, CT 06484

Phone (800) 288-6000 • Fax (800) 255-1031 • Specifications subject to change without notice.

